



**RAV**

**T E C H**

**2021 GEARBOX PARTS CATALOG**



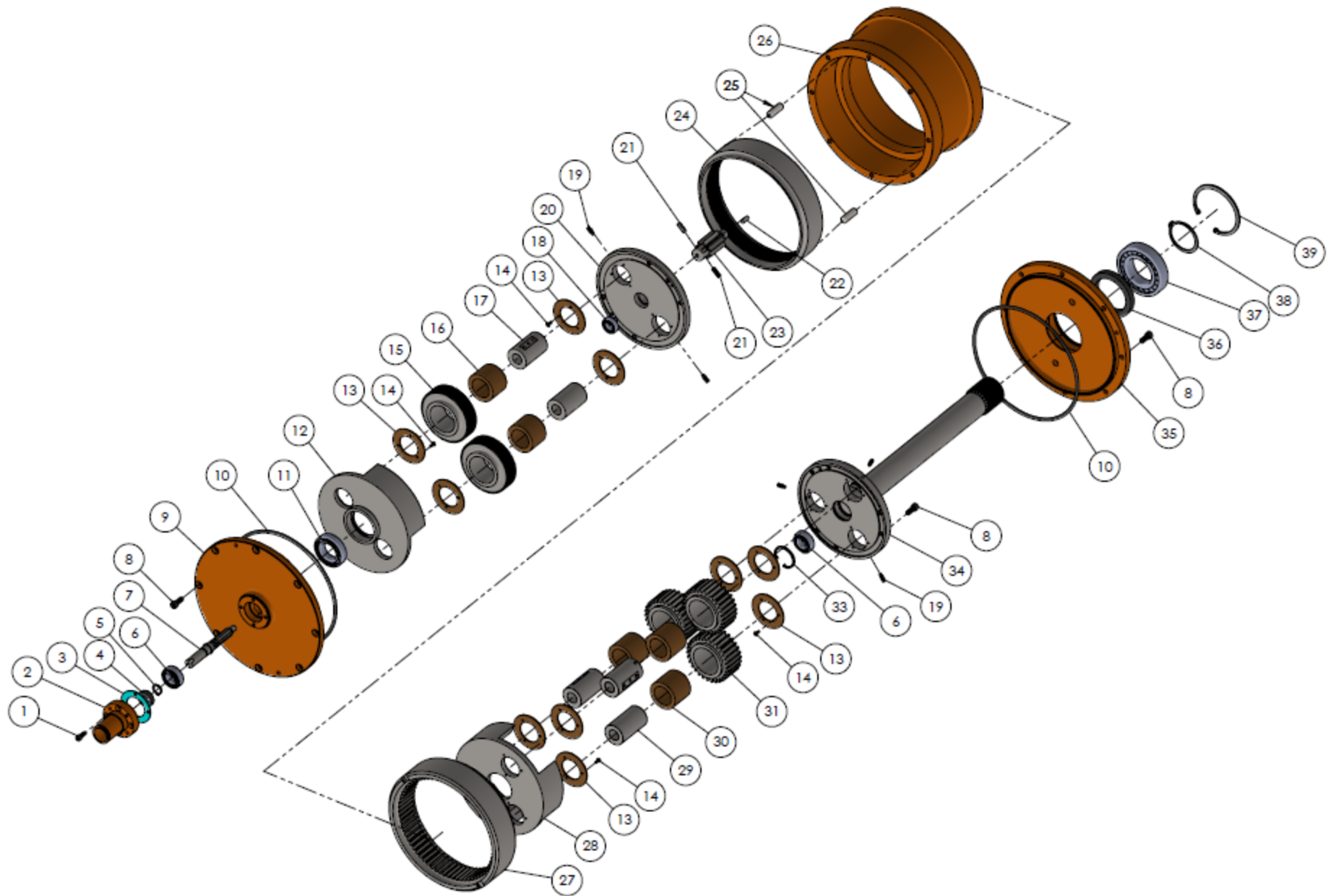
## TABLE OF CONTENTS

<u>GEAR UNIT</u>	<u>RATIO</u>	<u>TYPICAL MACHINE</u>
<b>ALFA-LAVAL</b>		
• 2.5	159:1	210, 310, 214, 314, 418
• 2.5 GS COUPLING		
• 3.5	57:1	414, 418, 518
• 3.5 GS COUPLING		
• 3.5 DD	52:1	LYNX 20
• 6.0	169:1	944, LYNX 40
• 12.0/ 8.0	101:1	944
• 16.0	127:1	NX-706, SG3-805
<b>BIRD</b>		
• SA-69	40:1, 80:1, 140:1	BOWL DIAMETER 18''- 24''
• PA-69	40:1, 80:1, 140:1	BOWL DIAMETER 18''- 24''
• SA-52	38:1, 75:1, 131:1	BOWL DIAMETER 24''- 30''
• SA-56	27:1, 39:1, 82:1	BOWL DIAMETER 32''- 40''
• SA-57	27:1, 39:1, 82:1	BOWL DIAMETER 32''- 40''
• SA-70	39:1, 82:1, 114:1	BOWL DIAMETER 32''- 40''
<b>SHARPLES</b>		
• P-52/ 125	52:1, 125:1	P-1000, P-3000, P-3400, (H&H 1448), (DERRICK DE 1000)
• TRIP ARM		
• P-90	49:1, 98:1	P-4600, P5000
• P-180/ M-220	47.5:1, 95:1	P-5000, P5400, PM-75000, PM-76000, PM-95000, DS-706
<b>H &amp; H</b>		
• GB-53	53:1, 100:1	5500
<b>FLOTTWEG</b>		
• SIMP DRIVE 4.12	107:1	
• PINION ASSEMBLY		
• SIMP DRIVE 3.11	49:1	
<b>DERRICK</b>		
• DE-7200	48:1	

**Rev Tech LC**

5240 NE 22<sup>nd</sup> St ♦ Des Moines, IA 50313 ♦ Ph: 515.266.8225 ♦ Fax: 515.266.5676 ♦ www.revtechlc.com

# Rev Tech LC - Aftermarket Parts for 2.5 Gearbox



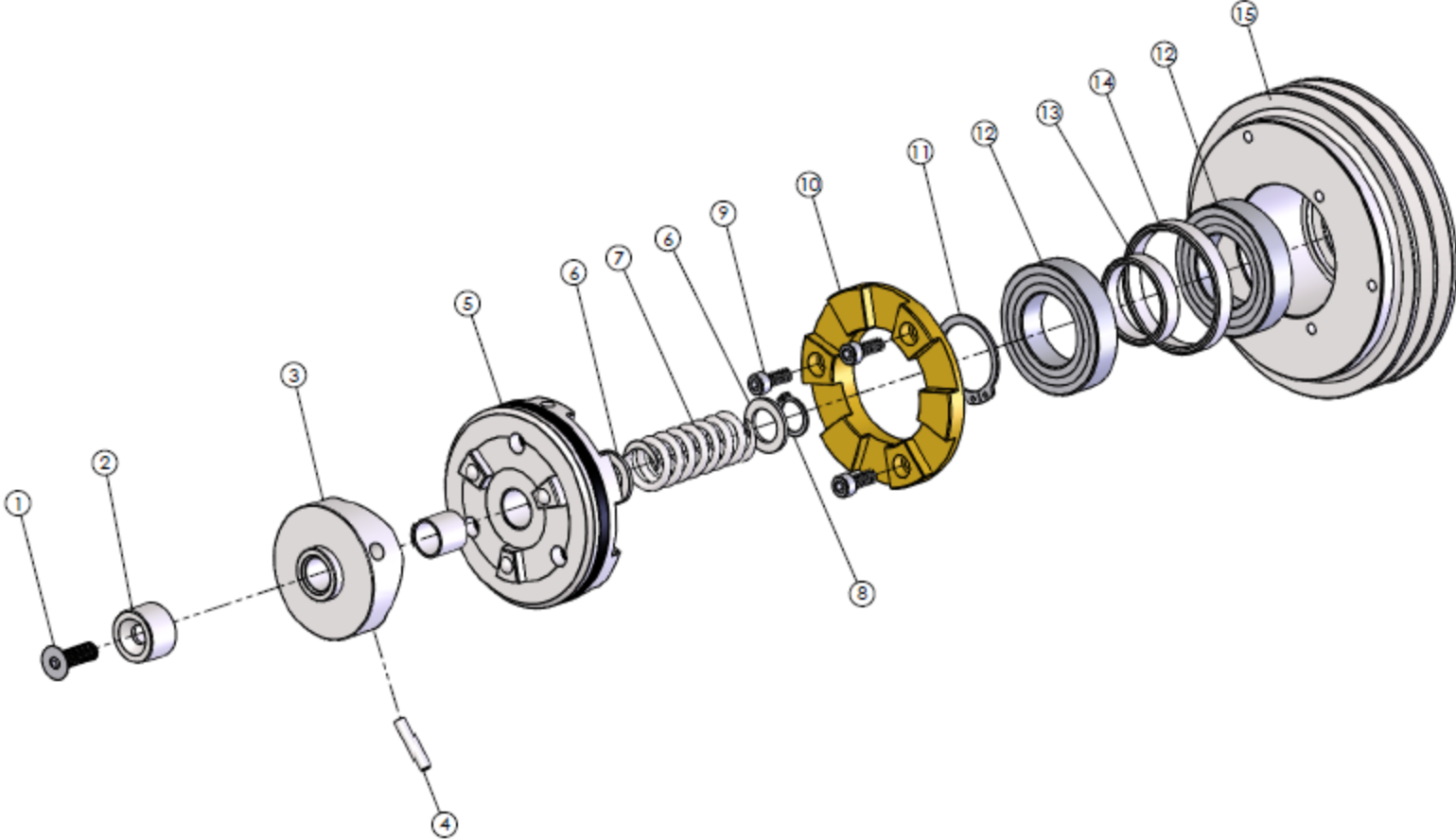
Item#	Part #	Description	Qty
1	140200	SHCS 1/4" - 20 x 5/8"	4
2-A	140100	Seal Retainer (for Torque Control)	1
2-B	140101	Seal Retainer (for GS Coupling)	1
3	140300	Gasket	1
4	140400	Oil Seal	1
5	142200	Snap Ring 3100-68	1
6	140500	Bearing 6203	2
7-A	142300	1st Stage Pinion (for Torque Control)	1
7-B	142301	1st Stage Pinion (for GS Coupling)	1
8	140700	SHCS 5/16" - 18 x 3/4"	30
9	140600	Outside Cover	1
10	140800	O' Ring 8 x 230mm H70	2
11	141000	Bearing 6007	1
12	142401	1st Stage Housing	1
13	142800	Thrust Washers	10
14	142900	FHCS (Brass) 6 - 32 x 3/8"	30
15	142500	1st Stage Planet Gear	2
16	142600	Bronze Bearing	2
17	142700	1st Stage Axle	2
18	143000	Bearing 6200	1
19	143203	Set Screw 6 -10 x 16mm (Dog Point)	5

Item#	Part #	Description	Qty
20	142402	1st Stage Cover	1
20-A	142402A	1st Stage Cover w/2nd Stage Pinion	1
21	141700	Dowel Pin 6 x 30mm	2
22	142404	Key	1
23	142403	2nd Stage Pinion	1
24	141300	1st Stage Ring Gear	1
25	141201	Dowel Pin	2
26	141200	Case	1
27	141400	2nd Stage Ring Gear	1
28	143200	2nd Stage Housing	1
29	143600	2nd Stage Axle	3
30	143700	Bronze Bearing	3
31	143800	2nd Stage Planet Gear	3
33	143400	Snap Ring 5000-156	1
34	143300A	2nd Stage Cover w/Spline	1
34-A	143301	Repair Spline (Fine)	1
34-B	143302	Repair Spline (Course)	1
35	141600	Inside Cover	1
36	141800	Oil Seal	1
37	141900	Bearing 1211	1
38	142000	Snap Ring 5100-215	1
39	142100	Snap Ring 3000-375	1

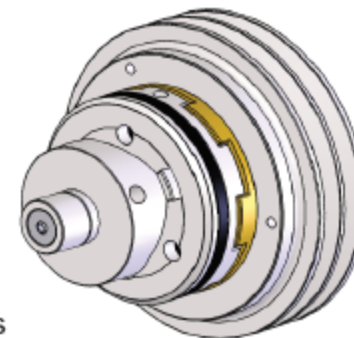
\* Rev Tech LC is an independent centrifuge gearbox part supplier for various OEM companies and is not affiliated with these OEM companies.



Rev Tech LC - Aftermarket Parts for 2.5 GS Coupling

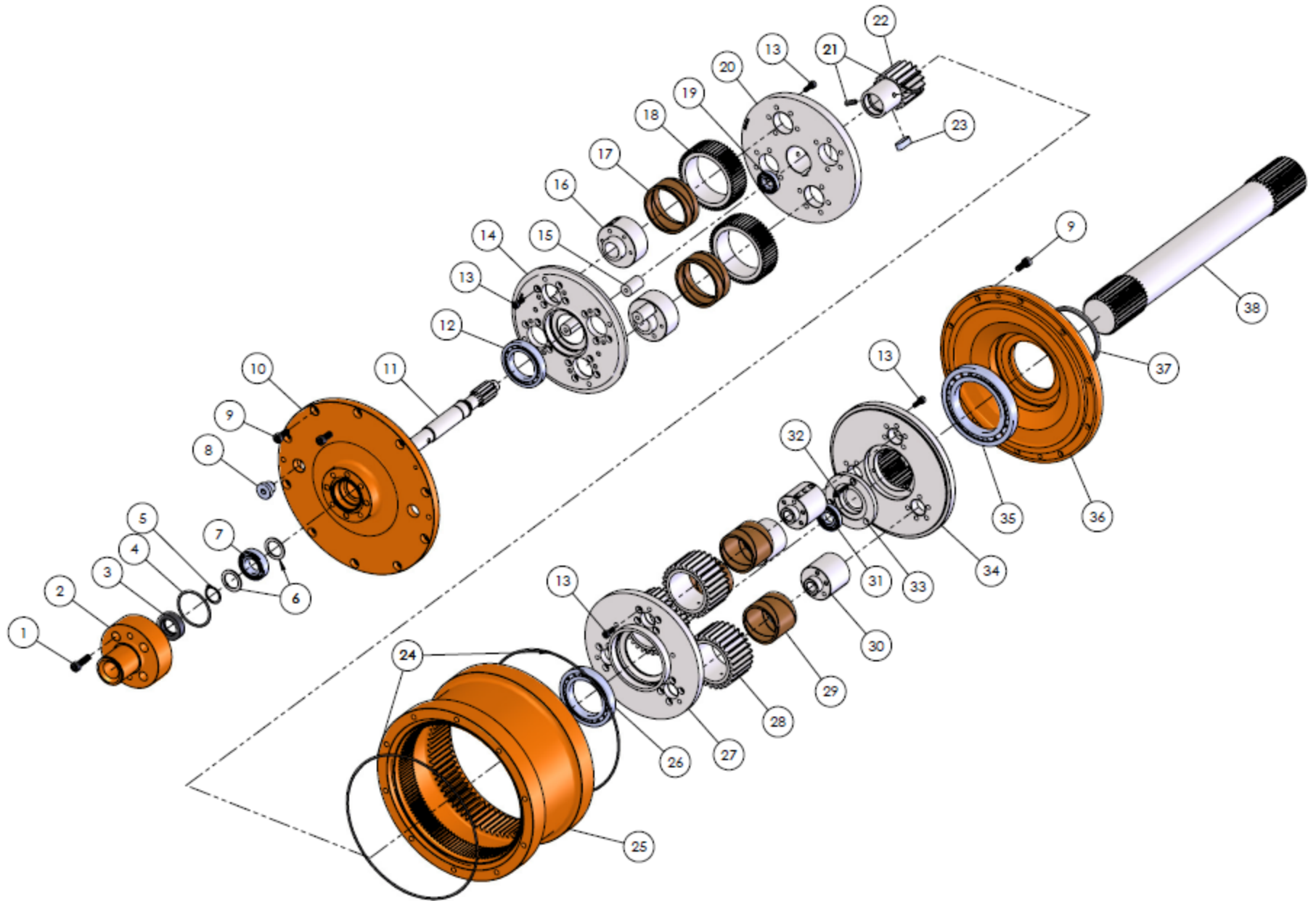


Item #	Part #	Description	Qty
1	241100	FHSHCS M8-1.25 X 25	1
2	241400	Washer Cap	1
3	241600	Driver	1
4	241300	Pin 5 X 25	1
5	241500	Clutch	1
6	240900	Washer	2
7	241200	Spring	1
8	240600	Snap Ring	1
9	240800	SHCS M6 -1.0 X 16	3
10	241000	Bronze Holder	1
11	241100	Snap Ring	1
12	240200	Bearing 6007	2
13	240500	Inner Bearing Spacer	1
14	240501	Outer Bearing Spacer	1
15	240100	Bearing Holder	1

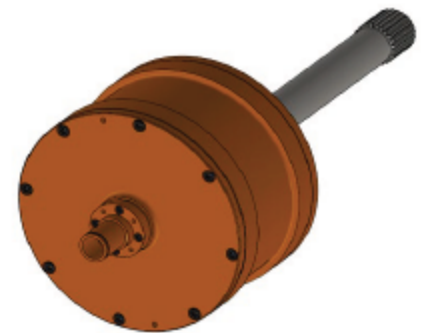


\* Rev Tech LC is an independent centrifuge gearbox part supplier for various OEM companies and is not affiliated with these OEM companies.

# Rev Tech LC - Aftermarket Parts for 3.5 Gearbox



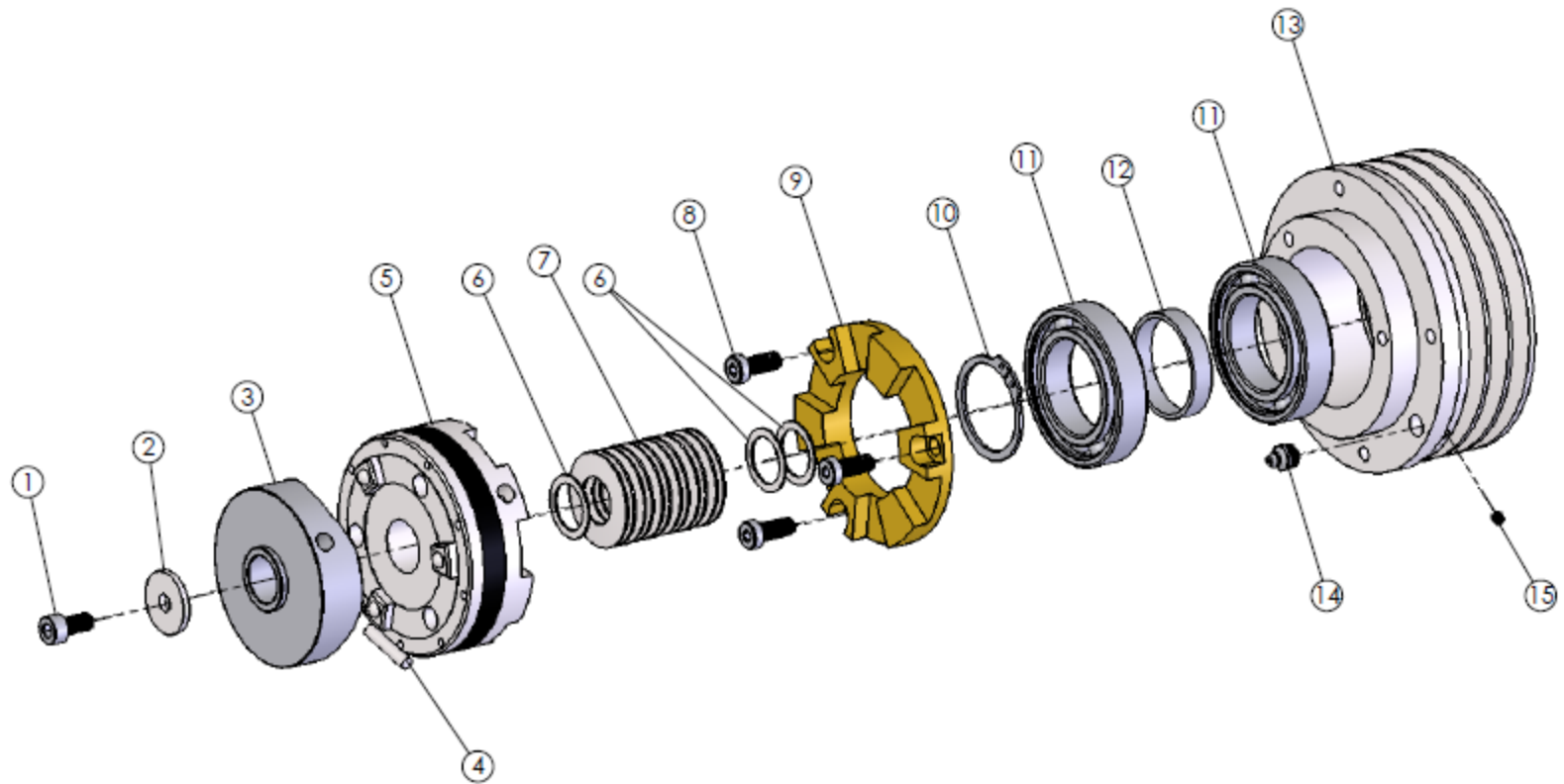
Item#	Part #	Description	Qty	Item#	Part #	Description	Qty
1	160100	SHCS 8 - 1.25 x 30 mm	4	20	162102	1st Stage Cover	1
2	160200	Seal Retainer (for GS Coupling)	1	20-A	162100	1st Stage Cover w/2nd Stage Pinion	1
3	160300	Oil Seal	1	21	162300	Dowel Pin 6 x 30mm	2
4	160700	O'Ring 3 x 54 H70	1	22	162101	2nd Stage Pinion	1
5	160400	Snap Ring 3100-98	1	23	162104	Key	1
6	160501	Spacer	2	24	161300	O'Ring 5.7 x 239.3 H70	2
7	160501A	Bearing 6005	1	25	162400	Ring Gear Housing	1
8-A	160900	Oil Plug (Metric)	2	26	162500	Bearing 16012	1
8-B	160901	Oil Plug (Alt. Std Pipe Plug)	2	27	162600	2nd Stage Housing	1
9	161100	SHCS 8 - 1.25 x 20 mm	20	28	162800	2nd Stage Planet Gear	3
10	160800	Outside Cover	1	29	162900	Bronze Bearing	3
11	160600	1st Stage Pinion (for GS Coupling)	1	30	163000	2nd Stage Axle	3
12	161400	Bearing 16009	1	31	163100	Bearing 16004	1
13	161600	SHCS 6 - 1.0 x 16mm	56	33	163202	Spline Plug	1
14	161500	1st Stage Housing	1	34	163200	2nd Stage Cover Spline Hub	1
15	161901	1st Stage Cage Support	4	35	163500	Bearing 16017	1
16	161900	1st Stage Axle	2	36	163800	Inside Cover	1
17	161800	Bronze Bearing	2	37	163600	O'Ring 6 x 85 H70	1
18	161700	1st Stage Planet Gear	2	38	164100	Drive Shaft	1
19	162000	Bearing 16003	1				



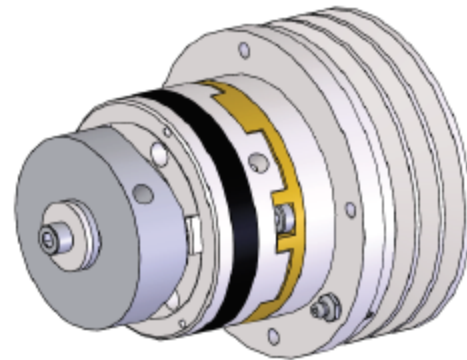
\* Rev Tech LC is an independent centrifuge gearbox part supplier for various OEM companies and is not affiliated with these OEM companies.



# Rev Tech LC - Aftermarket Parts for 3.5 GS Coupling

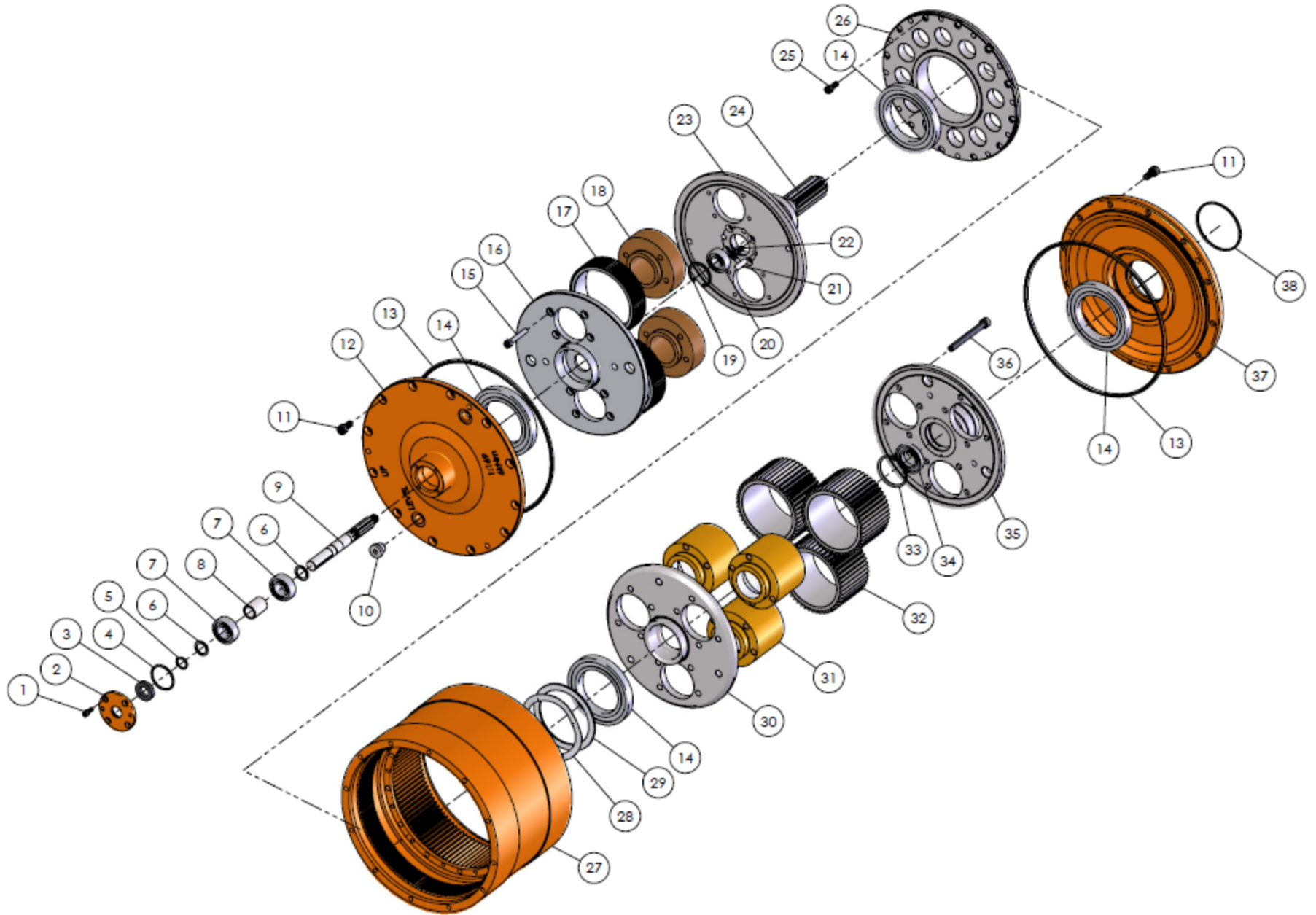


Item #	Part #	Description	Qty
1	231100	SHCS 8m-1.25 x 16	1
2	231400	Washer	1
3	231600	Driver	1
4	231300	Pin	1
5	231500	Clutch	1
6	230900	Washer	3
7	231200	Disk Spring	14
8	230800	LHSHCS 8m-1.25 x 11	3
9	231000	Bronze Holder	1
10	230600	Snap Ring 3100-181	1
11	230400	Bearing 6009	2
12	230500	Spacer	1
13	230100	Bearing Holder w/Belt Pulley	1
14	230300	Grease Zerk	1
15	230200	Set Screw 5mm	1

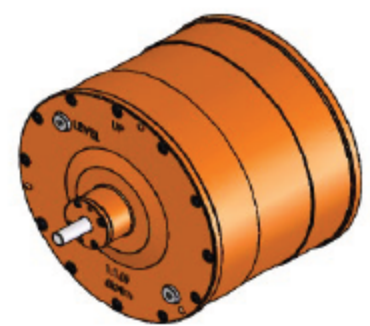


\* Rev Tech LC is an independent centrifuge gearbox part supplier for various OEM companies and is not affiliated with these OEM companies.

# Rev Tech LC - Aftermarket Parts for 6.0 Gearbox

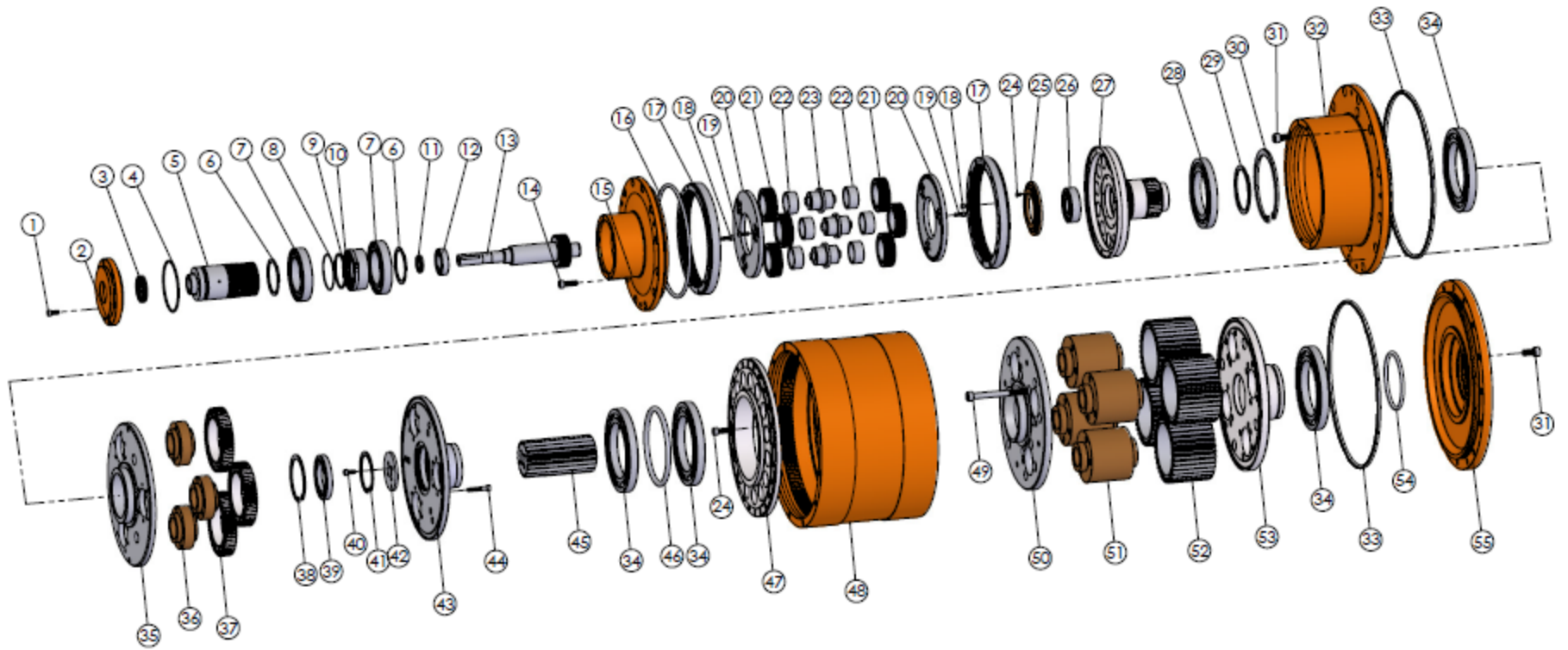


Item #	Part #	Description	Qty	Item #	Part #	Description	Qty
1	270100	SHCS 6-1.25 x 16	4	21	272104	Dowel Pin 3/8" x 1-1/8"	4
2	270200	Seal Cap	1	22	272200	SHCS 8m-1.25 x20	4
3	270300	Oil Seal	1	23	272101	1st Stage Inner Plate w/2nd Stage Pinion	1
4	270400	O'Ring H3 X 43	1	24	272102	2nd Stage Pinion	1
5	270500	Snap Ring	2	25	272200	SHCS 8m-1.25 x 20	12
6	270900	Spacer	2	26	272300	Center Plate	1
7	271300	Bearing 6204	2	27	272600	Ring Gear	1
8	270800	Spacer	1	28	272500	Wavy Washer	1
9	270600	1st Stage Pinion	1	29	272400	Spacer	1
10	160900	Oil Plug	2	30	272700	2nd Stage Outer Plate	1
11	271100	SHCS 10m-1.5 x 20	24	31	272900	2nd Stage Journal	3
12	271200	Outside Cover	1	32	272800	2nd Stage Planet Gear	3
13	271400	O'Ring 5.7 X 291.2	2	33	273000	Snap Ring	1
14	270700	Bearing 16017	4	34	273100	Bearing 16006	1
15	271500	SHCS 8m-1.25 x 50	8	35	273200	2nd Stage Inner Plate w/Spline	1
16	271600	1st Stage Outer Plate	1	36	273300	SHCS 10m-1.25 x 100	12
17	271700	1st Stage Planet Gear	2	37	273400	Inside Cover	1
18	271900	1st Stage Journal	2	38	273500	O'Ring 5.7 X 83	1
19	271800	Snap Ring	1	39	274000	6.0 Clutch	1
20	272000	Bearing 6302	1	40-A	274100	Drive Shaft (944)	1
				40-B	274101	Drive Shaft (LYNX 40)	1



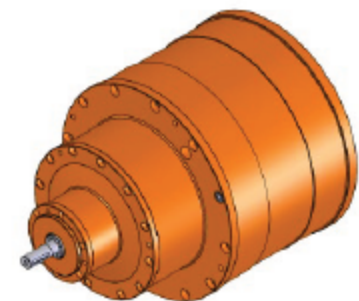
\* Rev Tech LC is an independent centrifuge gearbox part supplier for various OEM companies and is not affiliated with these OEM companies.

# Rev Tech LC - Aftermarket Parts for 12.0 Gearbox

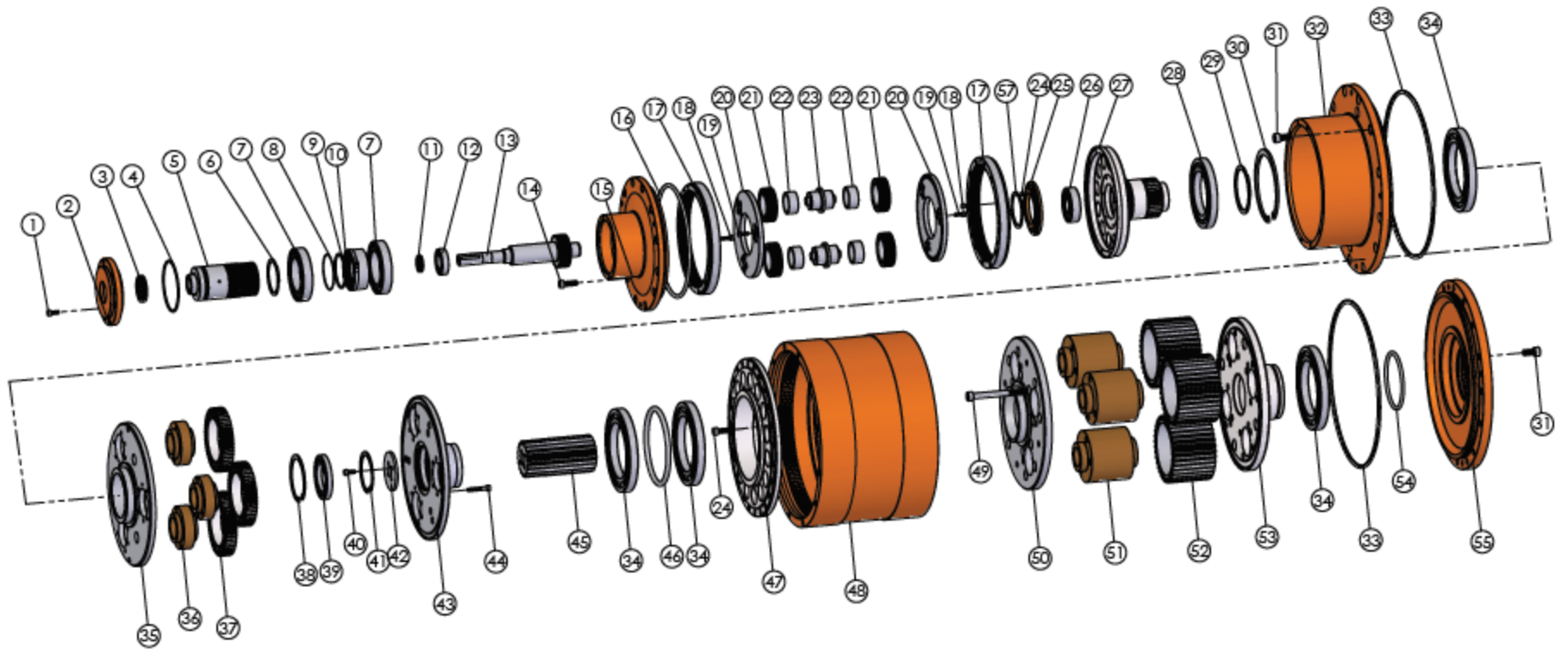


Item#	Part #	Description	Qty	Item#	Part #	Description	Qty
1	380100	SHCS M6 X 14 - 1.0	6	29	383200	Snap Ring 125 X 4.0	1
2	380200	Seal Cap	1	30	383300	Snap Ring 80 x 2.5	1
3	380400	Oil Seal	1	31	382800	SHCS M10 X 20 - 1.5	24
4	380300	O'Ring 3 X 90	1	32	382900	Cover 1ST Stage DD	1
5	381000	Pinion Sleeve Hollow 44T	1	33	383000	O'Ring 5.7 X 291	2
6	380500	Snap Ring 80 X 2	2	34	383400	Bearing 16020	4
7	380600	Bearing 6012 C3	2	35	383500	3RD Stage Outer Plate	1
8	380700	O'Ring 1.78 X 63.22	1	36	383700	3RD Stage Bronze Bearing	3
9	380800	O'Ring 3 X 61	1	37	383600	3RD Stage Planet Gear	3
10	380900	Spacer w/Oil Scoop	1	38	383800	Snap Ring 80 x 2.5	1
11	381100	Oil Seal	1	39	383900	Bearing 16010	1
12	381200	Bearing 6005	1	40	384100	SHCS M6 X 14 - 1.0	4
13	381300	Pinion Shaft 44T	1	41	384000	Snap Ring 72 X 2.5	1
14	381400	SHCS M8 X 1.25 -25	12	42	384200	Flange	1
15	381500	Outside Cover	1	43	384300	3RD Stage Inner Plate	1
16	381600	O'Ring 5.7 X 194.3	1	44	384400	SHCS 6mm X 35mm	12
17	381700	DD Ring Gear	2	45	384500	4TH Stage Pinion	1
18	381800	SHCS M5 X 20 - 0.8	24	46	384800	O'Ring 8.4 X 135mm	1
19	381900	SHCS M5 X 14 - 0.8	16	47	384600	Center Plate	1
20	382000	Gear Plate	2	48	384700	Ring Gear	1
21	382100	DD Planet Gear	6	49	384900	SHCS M10 X 100 - 1.5	16
22	382200	Bearing 32 X 39 X 18	6	50	385000	4TH Stage outer Plate	1
23	382300	DD Planet Pin	3	51	385100	4TH Stage Bronze Bearing	4
24	382400	FHCS M4 X 8 - 0.7	6	52	385200	4TH Stage Planet Gear	4
25	382500	Bronze Thrust Ring	1	53	385300	4TH Stage Inner Plate w/Spline	1
26	382600	Bearing 6305	1	54	385400	O'Ring 5.7 X 99.3	1
27	382700	3RD Stage Pinion Assembly	1	55	385500	Inside Cover	1
28	383100	Bearing 16016	1	56	385600	12.0 Clutch	1

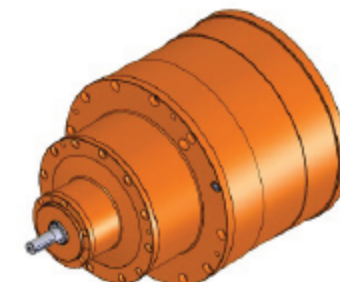
\* Rev Tech LC is an independent centrifuge gearbox part supplier for various OEM companies and is not affiliated with these OEM companies.



# Rev Tech LC - Aftermarket Parts for 16.0 Gearbox



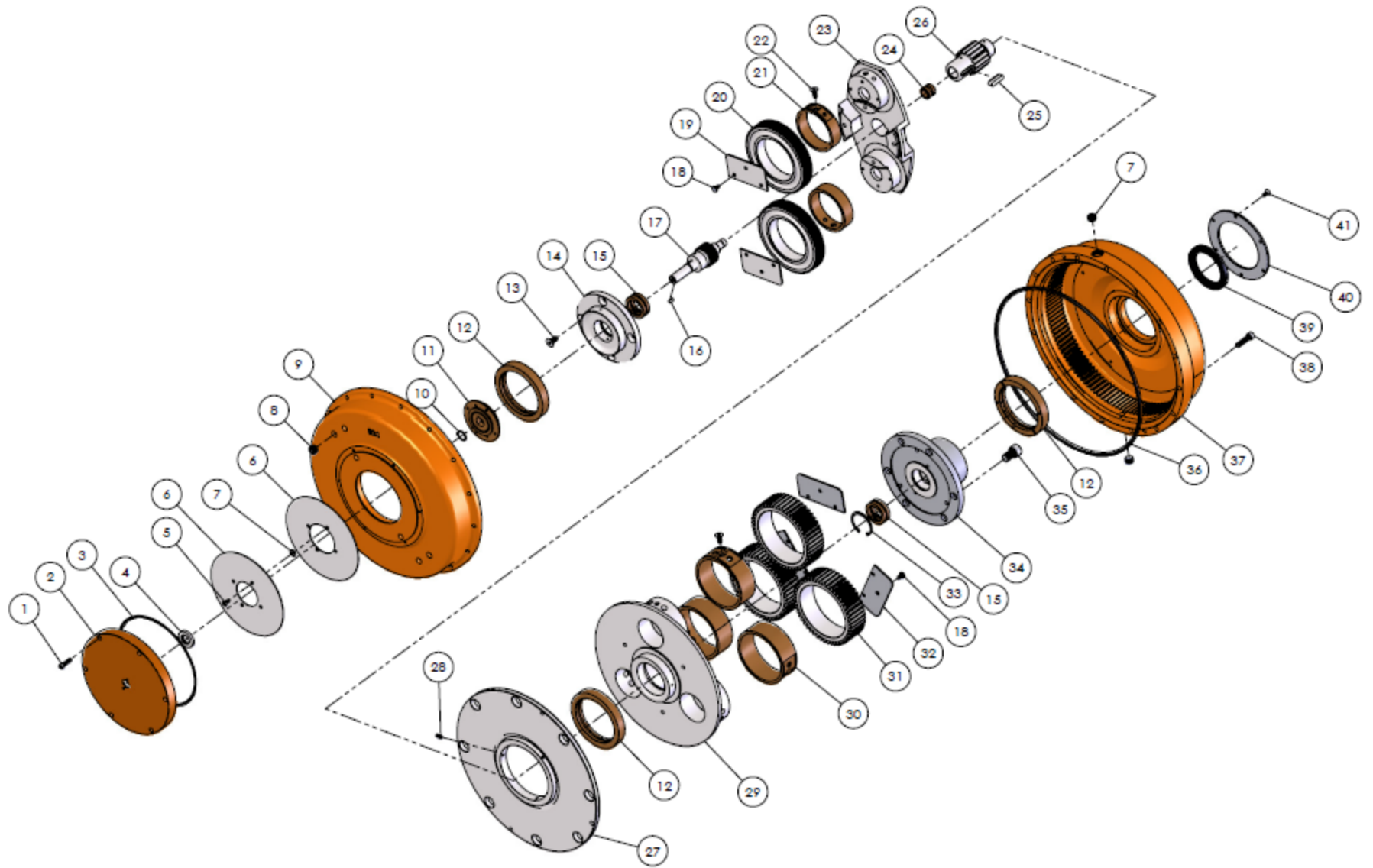
Item#	Part #	Description	Qty	Item#	Part #	Description	Qty
1	370100	SHCS M6-12.9 X 14	8	29	373200	Snap Ring 75 X 2.5	1
2	370200	Seal Cap	1	30	373300	Snap Ring 115 X 4	1
3	370400	Oil Seal	1	31	372800	SHCS M12-12.9 X 25	24
4	370300	O'Ring 3 X 94.5	1	32	372900	Cover 1ST Stage DD	1
5	371000	Pinion Sleeve Hollow 44T	1	33	373000	O'Ring 5.7 X 359.3	2
6	370500	Snap Ring 64 X 2 External	1	34	373400	Bearing 16024	4
7	370600	Bearing 6013 C3	2	35	373500	3RD Stage Outer Plate	1
8	370700	O'Ring 1.78 X 69.57	1	36	373700	3RD Stage Bronze Bearing	3
9	370800	O'Ring 3 X 64.5	1	37	373800	3RD Stage Planet Gear	3
10	370900	Spacer w/Oil Scoop	1	38	373800	Snap Ring 90 X 3	1
11	371100	Oil Seal 25 X 35 X 6	1	39	373900	Bearing 16011	1
12	371200	Bearing NU205	1	40	374100	SHCS M6-12.9 X 12	4
13	371300	Pinion Shaft	1	41	374000	Snap Ring 85 X 3	1
14	371400	SHCS M8-8.8 X 20	12	42	374200	Flange	1
15	371500	Outside Cover	1	43	374300	3RD Stage Inner Plate	1
16	371600	O'Ring 5.7 X 234.3	1	44	374400	SHCS M8-12.9 X 45	18
17	371700	DD Ring Gear	2	45	374500	4TH Stage Pinion	1
18	371800	SHCS M6-12.9 X 30	24	46	374800	Disc Spring	2
19	371900	SHCS M6-12.9 X 12	16	48-A	374801	Spacer	2
20	372000	Gear Plate	2	47	374600	Center Plate	1
21	372100	DD Planet Gear	4	48	374700	Ring Gear	1
22	372200	Bearing K40 X 48 X 20	4	49	374900	SHCS M10-8.8 X 120	16
23	372300	DD Planet Pin	2	50	375000	4TH Stage outer Plate	1
24	372400	FHCS M4-10.9 X 8	6	51	375100	4TH Stage Bronze Bearing	3
25	372500	Bronze Thrust Ring	1	52	375200	4TH Stage Planet Gear	3
57	375700	Snap Ring 64 X 2 Internal	1	53	375300	4TH Stage Inner Plate w/Spline	1
26	372600	Bearing 6305	1	54	375400	O'Ring 5.7 X 119.3	1
27	372700	3RD Stage Pinion Assembly	1	55	375500	Inside Cover	1
28	373100	Bearing 16015	1	56	375600	12.0 Clutch	1



\* Rev Tech LC is an independent centrifuge gearbox part supplier for various OEM companies and is not affiliated with these OEM companies.



# Rev Tech LC - Aftermarket Parts for SA-69 Gearbox

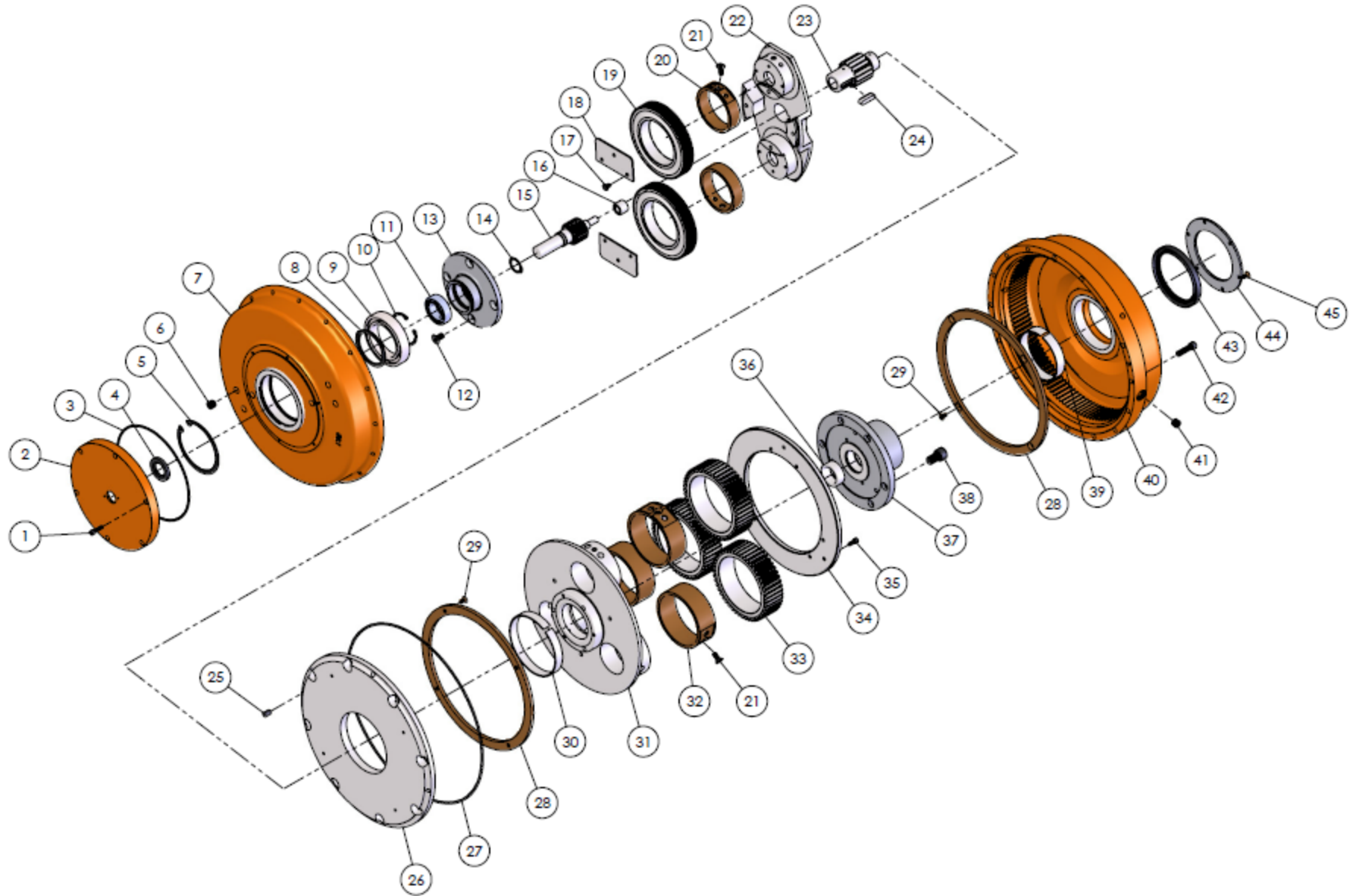


Item#	Part#	Description	Qty	Item#	Part#	Description	Qty
1	130100	SHCS 1/4" - 20 x 1"	6	20-C	131802	1st Stage Planet Gear 40:1	2
2	130200	Cover	1	21	132000	1st Stage Bronze Gear Bearing	2
3	130300	O'Ring 267 H70	1	22	131900	FH SHCS 5/16" - 18 x 3/4"	5
4	130400	Oil Seal	1	23	132100	1st Stage Cage	1
5	130500	BH SHCS 1/4" - 20 x 1/2"	4	24	132200	1st Stage Bronze Pinion Bearing	1
6-A	130600	Oil Pump Assembly	1	25	132300	Key	1
6-B	130601	Outside Disc	1	26	132400	2nd Stage Pinion	1
6-C	130602	Inside Disc	1	27	132600	Center Plate	1
7	130700	Washer	4	28	133000	Set Screw 1/4" - 20 x 1/2" NyLock	3
8	130901	Oil Plug	4	29	182301	2nd Stage Cage	1
9-A	130800	1st Stage Ring Gear 80:1	1	30	132900	2nd Stage Bronze Gear Bearing	3
9-B	130801	1st Stage Ring Gear 140:1	1	31	133100	2nd Stage Planet Gear	3
9-C	130802	1st Stage Ring Gear 40:1	1	32	133200	2nd Stage Cage Retainer	3
10	131300	Snap Ring 5100 -81	1	33	133300	Snap Ring 3000 - 200	1
11	130900	Oil Pump Bushing	1	34-A	133500	Female Spline	1
12	132700	Bronze Centerline Bearing	3	34-B	133501	Large Male Spline	1
13	131000	FH SHCS 3/8" - 16 x 3/4"	4	34-C	133502	Small Male Spline	1
14	131200	Bearing Retainer	1	35	133600	SHCS 5/8" - 11 x 1"	6
15	131100	Bronze Bearing (Spline /Retainer)	2	36	132500	O' Ring 460 H70	1
16	131500	Key	1	37-A	133700	2nd Stage Ring Gear (FS)	1
17-A	131700	1st Stage Pinion 80:1	1	37-B	133701	2nd Stage Ring Gear (MS)	1
17-B	131701	1st Stage Pinion 140:1	1	38	133900	SHCS 3/8" - 16 x 1-1/2"	16
17-C	131702	1st Stage Pinion 40:1	1	39-A	133800	Oil Seal (FS)	1
18	131400	HHCS 1/4" -28 x 3/8"	15	39-B	133801	Oil Seal (MS)	1
19	131600	1st Stage Gear Retainer	2	40-A	134000	Seal Retainer (MS)	1
20-A	131800	1st Stage Planet Gear 80:1	2	40-B	134001	Seal Retainer (FS)	1
20-B	131801	1st Stage Planet Gear 140:1	2	41	134100	FH SHCS 1/4" - 20 x 1/2"	6



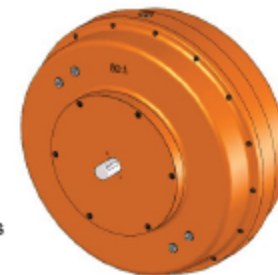
\* Rev Tech LC is an independent centrifuge gearbox part supplier for various OEM companies and is affiliated with these OEM companies.

# Rev Tech LC - Aftermarket Parts for PA-69 Gearbox

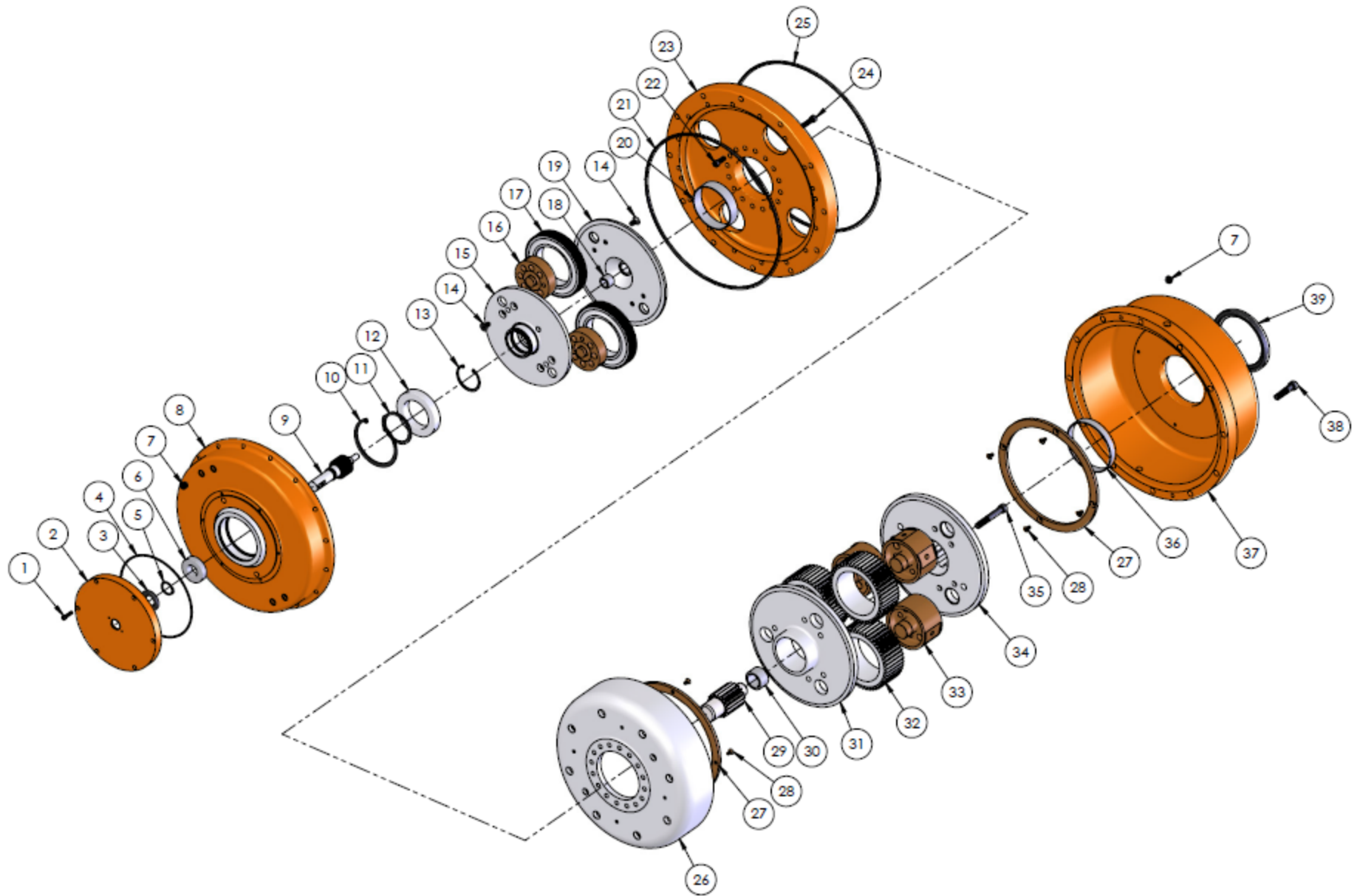


Item#	Part#	Description	Qty	Item#	Part#	Description	Qty
1	130100	SHCS 1/4" - 20 x 1"	8	22	132100	1st Stage Cage	1
2	180100	Cover	1	23-A	132400	2nd Stage Pinion	1
3	130300	O'Ring 287 H70	1	23-B	181802	2nd Stage Pinion (OEM)	1
4	180200	Oil Seal	1	24	132300	Key	1
5	180501	Snap Ring 5000-450	1	25	132801	Dowel Pin 3/8" x 5/8"	1
6	130901	Oil Plug	4	26	182000	Center Plate	1
7-A	180304	1st Stage Ring Gear 80:1	1	27	132500	O'Ring 460 H70	1
7-B	180305	1st Stage Ring Gear 140:1	1	28	182100	Bronze Thrust Washer	2
7-C	180306	1st Stage Ring Gear 40:1	1	29	182200	FH SHCS (Brass)1/4" - 20 x 1/2"	14
7-D	180308	1st Stage Ring Gear 60:1	1	30	182002	Center Plate DU Bearing	1
7-D	180303	Bearing Insert	1	31	182300	2nd Stage Cage	1
8	180800	Snap Ring 5100-300	1	32-A	132900	2nd Stage Bronze Gear Bearing	3
9	180500	Bearing 6015	1	32-B	182511	2nd Stage Bronze Journal (OEM)	3
10	180800	Snap Ring 5000-244	1	33	133100	2nd Stage Planet Gear	3
11	180700	Bearing 6206	1	34	183200	Gear Retainer/Thrust Plate	1
12	131000	FH SHCS 3/8" - 16 x 3/4"	4	35	183201	SHCS 1/4" - 28 x 5/8"	9
13	181201	Bearing Retainer	1	36-A	181701	Needle Bearing B2812/IR242816	1
14	181000	Snap Ring 5100-118	1	36-B	222800	Needle Bearing J2412/IR2016 (OEM)	1
15-A	180900	1st Stage Pinion 80:1	1	37-A	183500	Female Spline	1
15-B	180901	1st Stage Pinion 140:1	1	37-B	183501	Large Male Spline	1
15-C	180902	1st Stage Pinion 40:1	1	37-C	183502	Small Male Spline	1
15-D	180905	1st Stage Pinion 60:1	1	38	133800	SHCS	6
16	181900	Needle Bearing J1212/IR812	1	39-A	182803	2nd Stage DU Bearing	1
17	131400	SHCS 1/4" - 28 x 3/8"	6	39-B	182804	Bearing Insert	1
18	131800	1st Stage Gear Retainer	2	40-A	183800	2nd Stage Ring Gear (FS)	1
19-A	131800	1st Stage Planet Gear 80:1	2	40-B	183601	2nd Stage Ring Gear (MS)	1
19-B	131801	1st Stage Planet Gear 140:1	2	41	133900	SHCS 3/8" - 16 x 1-1/2"	18
19-C	131802	1st Stage Planet Gear 40:1	2	42-A	133800	Oil Seal (FS)	1
19-D	131803	1st Stage Planet Gear 60:1	2	42-B	133801	Oil Seal (MS)	1
20-A	132000	1st Stage Bronze Gear Bearing	2	43	134001	Seal Retainer (FS)	1
20-B	181211	1st Stage Bronze Journal (OEM)	2	44	134000	Seal Retainer (MS)	1
21	131900	FH SHCS 5/16" - 18 x 3/4"	5				

\* Rev Tech LC is an independent centrifuge gearbox part supplier for various OEM companies and is affiliated with these OEM companies.

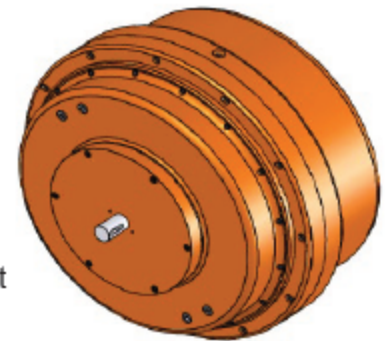


# Rev Tech LC - Aftermarket Parts for SA-52 Gearbox



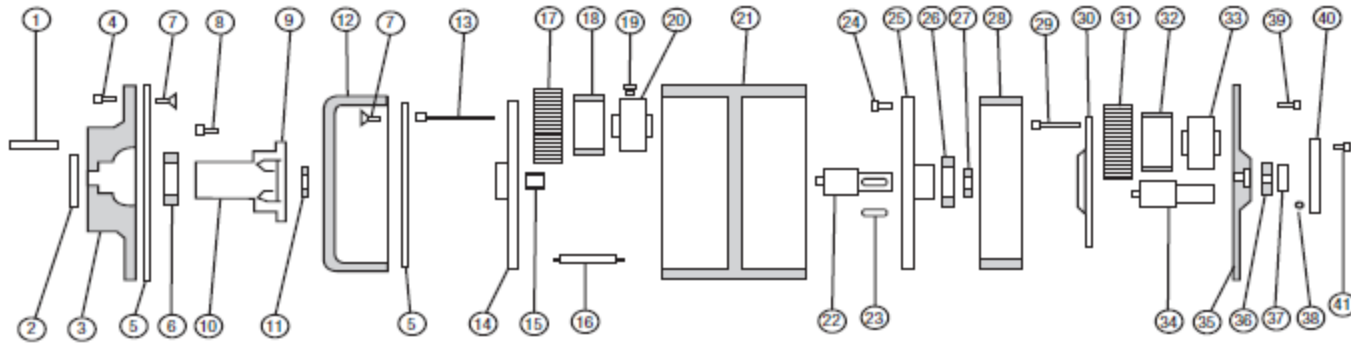
Item#	Part #	Description	Qty	Item#	Part #	Description	Qty
1	130100	SHCS 1/4" - 20 x 1"	6	18	221600	Needle Bearing J1412/IR1012	1
2	180100	Cover	1	19	221500	1st Stage Housing Pinion End	1
3	180200	Oil Seal	1	20	222000	DU Bearing Center Plate	1
4	130300	O'Ring 267 H70	1	21	132500	O'Ring 460 H70	1
5	180501	Snap Ring 5000 - 450	1	22	221902	SHCS 3/8" - 24 x 1"	16
6	180500	Bearing 6015	1	23	221900	Center Plate	1
7	130901	Oil Plug	4	24	221901	SHCS 3/8" - 16 x 1 1/2"	16
8-A	180304	1st Stage Ring Gear 75:1	1	25	222100	O'Ring 463 H70	1
8-B	180305	1st Stage Ring Gear 131:1	1	26	222200	2nd Stage Ring Gear	1
8-C	180306	1st Stage Ring Gear 38:1	1	27	220200	Thrust Washer	2
9-A	180900	1st Stage Pinion 75:1	1	28	222300	FH SHCS 1/4" - 20 x 1/2"	8
9-B	180901	1st Stage Pinion 131:1	1	29	221700	2nd Stage Pinion	1
9-C	180902	1st Stage Pinion 38:1	1	30	222800	Needle Bearing J2412/IR2016	1
10	180600	Snap Ring 5100-300	1	31	222400	2nd Stage Outer Plate	1
11	180800	Snap Ring 5000-244	1	32	222500	2nd Stage Planet Gear	3
12	180700	Bearing 6206	1	33	222600	2nd Stage Bronze Journal	3
13	181000	Snap Ring 5100-118	1	34	222700	2nd Stage Housing w/Spline	1
14	221001	FH SHCS 3/8" - 16 x 3/4"	16	35	222702	SHCS 1/2" - 13 x 4"	6
15	221000	1st Stage Housing Bearing End	1	36	223200	2nd Stage DU Bearing	1
16	181211	1st Stage Bronze Journal	2	37	223000	Case	1
17-A	131800	1st Stage Planet Gear 75:1	2	38	223001	SHCS 1/2" - 13 x 2 1/4"	12
17-B	131801	1st Stage Planet Gear 131:1	2	39	223100	Oil Seal	1
17-C	131802	1st Stage Planet Gear 38:1	2				

\* Rev Tech LC is an independent centrifuge gearbox part supplier for various OEM companies and is not affiliated with these OEM companies.



Item #	Part #	Description	Qty
2	122900	Oil Seal	1
6	N/A	Bronze Bearing, Spline End	1
6A	122201	Bearing NJ 220M	1
10-A	120101	Spline Shaft	1
11	122500	Bearing 6216M	1
11A	N/A	Bronze Bearing, 2nd Ring Gear	1
12	121400	2nd Stage Ring Gear	1
15	N/A	Bronze Bearing	1
15-A	122700	Bearing 2305	1
17	121300	2nd Stage Planet Gear	2
18	121500	2nd Stage Axle	2
22	121200	2nd Stage Pinion	1
26	122500	Bearing 6216M	1
27	122800	Bearing 6404	1
28	171102	1st Stage Ring Gear 39:1	1
28-A	171103	1st Stage Ring Gear 82:1	1
28-B	171101	1st Stage Ring Gear 27:1	1
31	171302	1st Stage Planet Gear 39:1	2
31-A	171303	1st Stage Planet Gear 82:1	2
31-B	171301	1st Stage Planet Gear 27:1	2
32	120802	1st Stage Bronze Journal 39:1	2
34	120501	1st Stage Pinion 39:1	1
34-A	120502	1st Stage Pinion 82:1	1
34-B	120503	1st Stage Pinion 27:1	1
36	122600	Bearing 6206M	1
37	123000	Oil Seal	1

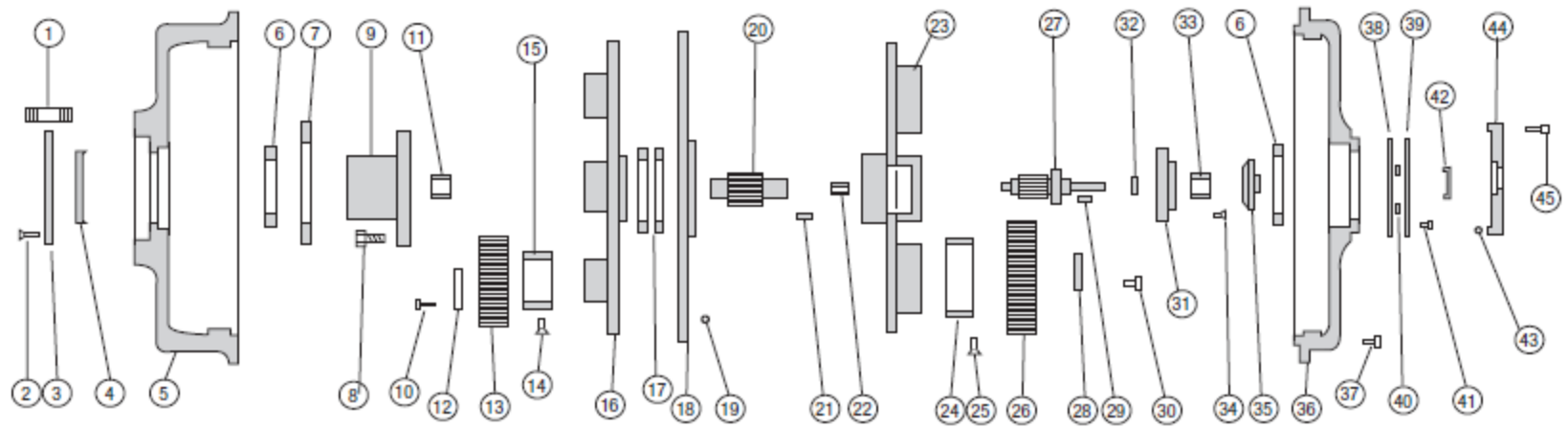
\* Rev Tech LC is an independent centrifuge gearbox part supplier for various OEM companies and is not affiliated with these OEM companies.



Item#	Part#	Description	Qty	Item#	Part#	Description	Qty
1	N/A	Stud 1"-8 x 3-3/4"	8	23	N/A	Key	1
2	170200	Oil Seal	1	24	171001	SHCS 3/8" - 16 x 1 -1/4"	16
3	N/A	Inside Cover	1	25	N/A	1st Stage Housing	1
4	170601	SHCS 1/2"- 13 x 1 1/4"	24	26	172000	Bearing 6216	1
5	170500	Bronze Thrust Washer	2	27	172100	Bearing 6404	1
6	170300	Bearing NU 1036	1	28	171102	1st Stage Ring Gear 39:1	1
7	170501	FH SHCS 1/4"- 20 x 5/8"	16	28A	171103	1st Stage Ring Gear 82:1	1
8	172801	SHCS 3/4"- 10 x 1 - 1/4"	20	28B	171101	1st Stage Ring Gear 27:1	1
9	N/A	Spline Shaft Hub	1	29	172701	SHCS 3/8" -16 x 3 - 1/2"	8
10	170100	Spline Shaft 3.5"	1	30	N/A	1st Stage Gear Plate	1
10-A	170101	Spline Shaft 4"	1	31-A	171302	1st Stage Planet Gear 39:1	2
11	173000	Bearing NU6216E	1	31-B	171302H	1st Stage Planet Gear 39:1 High Speed	2
12	170800	2nd Stage Ring Gear	1	31-C	171303	1st Stage Planet Gear 82:1	2
13	172401	SHCS 3/8" - 16 x 5 - 1/2"	14	31-D	171301	1st Stage Planet Gear 27:1	2
14	N/A	2nd Stage Gear Plate	1	32	171400	1st Stage Bronze Bearing	2
15	173100	Bearing BR 243320	1	32-A	171400H	1st Stage Bronze Bearing High Speed	2
15A	N/A	Bronze Bearing	1	33	N/A	1st Stage Axle	2
16	N/A	Support	2	34	171702	1st Stage Pinion 39:1	1
16A	N/A	Support	2	34A	171703	1st Stage Pinion 82:1	1
17	172600	2nd Stage Planet Gear	2	34B	171701	1st Stage Pinion 27:1	1
17-A	172601	2nd Stage Planet Gear HH	2	35	N/A	Outside Cover	1
18	172500	2nd Stage Bronze Bearing	2	36	171900	Bearing 6407	1
19	172501	SHCS 3/8" - 16 x 1/2"	4	37	171800	Oil Seal	1
20	N/A	2nd Stage Axle	2	38	171500	O' Ring 241 H70	1
21	N/A	Gear Case	1	39	171201	SHCS 3/8" - 16 x 1 - 1/4"	24
22	172200	2nd Stage Pinion	1	40	171600	Bearing Cap	1
22-A	172201	2nd Stage Pinion High Speed HH	1	41	171601	SHCS 5/16" - 18-1"	6

\* Rev Tech LC is an independent centrifuge gearbox part supplier for various OEM companies and is not affiliated with these OEM companies.

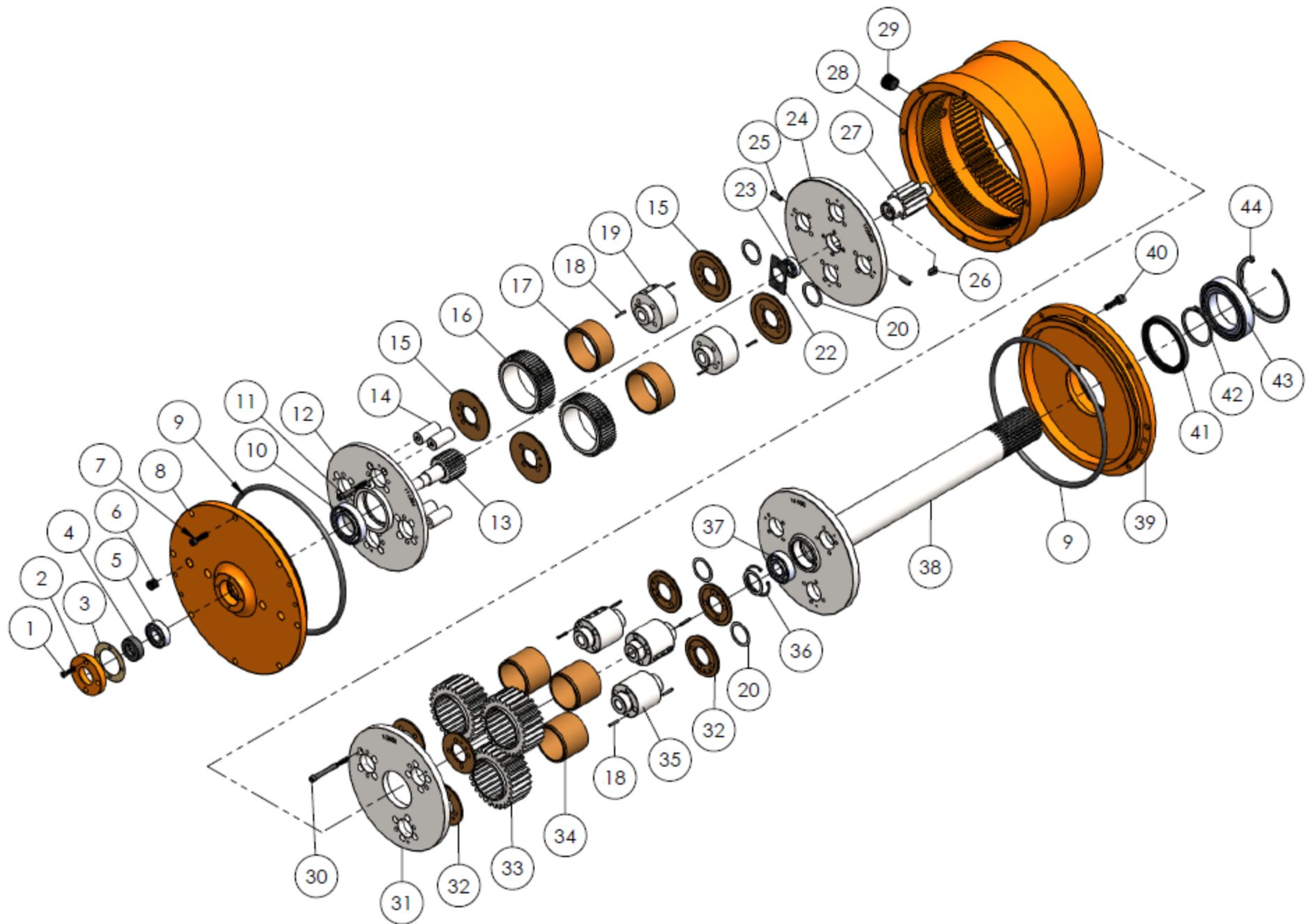




Item#	Part#	Description	Qty	Item#	Part#	Description	Qty
1	N/A	Stud 1"- 8 x 3 3/4"	8	26-B	N/A	1st Stage Planet Gear 82:1	2
2	190200	FH SHCS 1/4" - 20 x 1"	8	26-C	N/A	1st Stage Planet Gear 118:1	2
3	N/A	Seal Retainer	1	27	N/A	1st Stage Pinion 22:1	1
4	190400	Oil Seal	1	27-A	N/A	1st Stage Pinion 39:1	1
5	N/A	2nd Stage Ring Gear	1	27-B	N/A	1st Stage Pinion 82:1	1
6	190600	Bronze Centerline Bearing	2	27-C	N/A	1st Stage Pinion 118:1	1
7	190700	Bronze Thrust Washer	1	28	N/A	Retainer	2
8	190800	SHCS 3/4" -16 x 1-1/4"	8	29	N/A	Key	1
9	190900	Spline (Coarse)	1	30	191000	Cap Screw 3/8" - 16 x 5/8"	6
9-A	N/A	Spline (Fine)	1	31	N/A	Bearing Retainer	1
10	191000	Cap Screw 3/8 -16 x 5/8"	9	32	193200	Snap Ring 5100 - 125	1
11	191100	Bronze Bearing (Spline)	1	33	193300	1st Stage Bronze Retainer Bearing	1
12	N/A	Retainer	3	34	193400	SHCS 1/2" - 13 x 7/8"	4
13	N/A	2nd Stage Planet Gear	3	35	193500	Bronze Oil Pump Bushing (Tapered)	1
14	191400	FH SHCS 7/16" -14 x 3/4"	3	35-A	193501	Bronze Oil Pump Bushing (Square)	1
15	191500	2nd Stage Bronze Gear Bearing	2	36	N/A	1st Stage Ring Gear 22:1	1
16	N/A	2nd Stage Cage (3-Gear)	1	36-A	N/A	1st Stage Ring Gear 39:1	1
16-A	N/A	2nd Stage Cage (2-Gear)	1	36-B	N/A	1st Stage Ring Gear 82:1	1
17	191700	Bronze Center Plate Bearing	2	36-C	N/A	1st Stage Ring Gear 118:1	1
18	N/A	Center Plate	1	37	193700	SHCS 3/8" - 16 x 1 1/2"	15
19	191900	O'Ring 471 H70	1	38	N/A	Inner Disc	1
20	N/A	2nd Stage Pinion	1	39	N/A	Outer Disc	1
21	N/A	Key	1	40	N/A	Spacer	4
22	192200	1st Stage Bronze Pinion Bearing	1	41	194100	BH SHCS 1/4" - 20 x 3/8"	4
23	N/A	1st Stage Cage	1	42	194200	Oil Seal	1
24	192400	1st Stage Bronze Gear Bearing	2	43	194300	O'Ring 450 H70	1
25	192500	FH SHCS 7/16" -14 x 3/4"	2	44	N/A	Cover	1
26	N/A	1st Stage Planet Gear 22:1	2	45	194500	SHCS 1/4" - 20 x 7/8"	8
26-A	N/A	1st Stage Planet Gear 39:1	2				

\* Rev Tech LC is an independent centrifuge gearbox part supplier for various OEM companies and is not affiliated with these OEM companies.

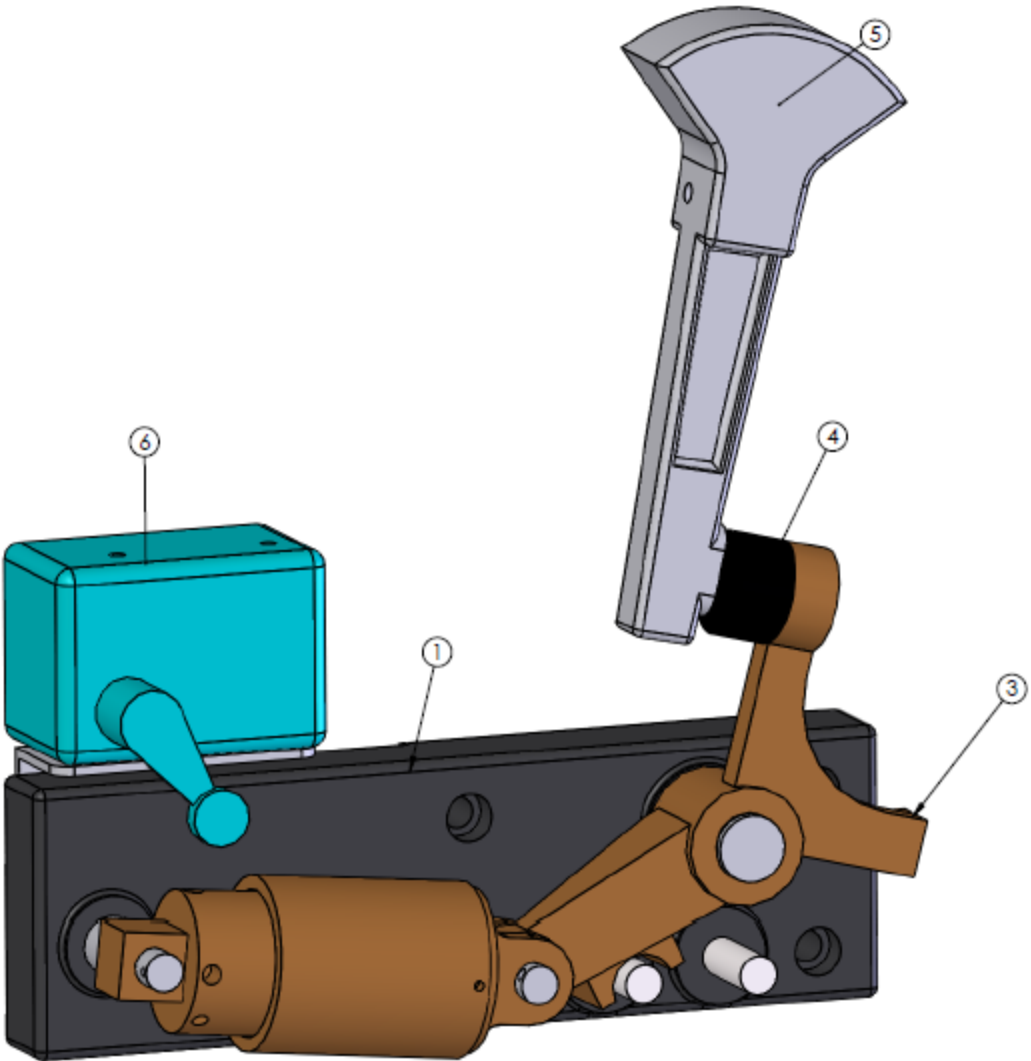
# Rev Tech LC - Aftermarket Parts for P-52 | P-125 Gearbox



Item#	Part#	Description	Qty	Item#	Part #	Description	Qty
1	110103	SHCS 10" - 24 x 3/4"	4	24	112200	1st Stage Inner Plate	1
2	110102	Seal Retainer	1	25	112400	Roll Pins 1/4" x 3/4"	2
3	110500	Gasket	1	26	112301	Key	1
4	110400	Oil Seal	1	27	112300	2nd Stage Pinion	1
5	110300	Bearing 6203	1	27-A	110800	1st Stage Assembly P-52	1
7	110101	SHCS 1/4" - 20 x 1"	8	27-B	110801	1st Stage Assembly P-125	1
8	110100	Outside Cover	1	27-C	110802	1st Stage Sub Assembly	1
9	110200	O' Ring 447 H70	2	28	110900	Ring Gear Case	1
10	110700	Bearing 6007	1	31	112602	2nd Stage Outer Plate	1
10-A	110800	Shim Set	1	32-A	113101	2nd Stage Thrust Washer	6
12	111501	1st Stage Outer Plate	1	32-B	113100	2nd Stage Thrust Washer (OEM)	6
13-A	112100	1st Stage Pinion P-52	1	33	113000	2nd Stage Planet Gear	3
13-B	112101	1st Stage Pinion P-125	1	34	112901	2nd Stage Bronze Bearing	3
14	112206	Cage Support	4	35	112900	2nd Stage Axle	3
15-A	111901	1st Stage Thrust Washer	4	36	112700	Snap Ring 5000-185	1
15-B	111900	1st Stage Thrust Washer (OEM)	4	37	112800	Bearing 6204	1
16-A	111700	1st Stage Planet Gear P-52	2	38	111103	2nd Stage Inner Plate w/Spline	1
16-B	111701	1st Stage Planet Gear P-125	2	38-A	111000	2nd Stage Assembly	1
17	111801	1st Stage Bronze Bearing	2	38-B	111001	2nd Stage Sub Assembly	1
18	111800	Roll Pin 1/8" x 3/4"	10	39	111200	Inside Cover	1
19	111800	1st Stage Axle	2	40	111204	SHCS 5/16" - 18 x 1"	8
20	112000	Spring Washer (OEM)	5	41	111300	Oil Seal	1
21	112201	FH SHCS 8" - 32 x 3/8"	2	42	111202	Snap Ring 5100-237	1
22	112202	Bearing Retainer	1	43	111400	Bearing 6012	1
23	112500	Bearing 6200	1	44	111203	Snap Ring 5000-375	1

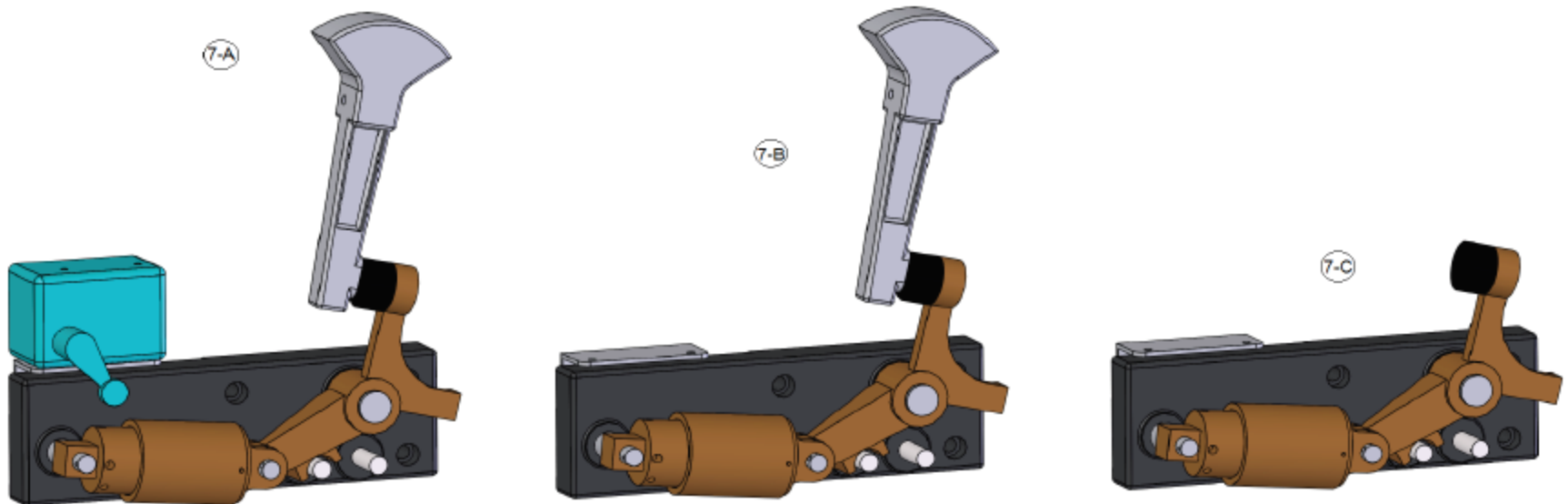


\* Rev Tech LC is an independent centrifuge gearbox part supplier for various OEM companies and is not affiliated with these OEM companies.

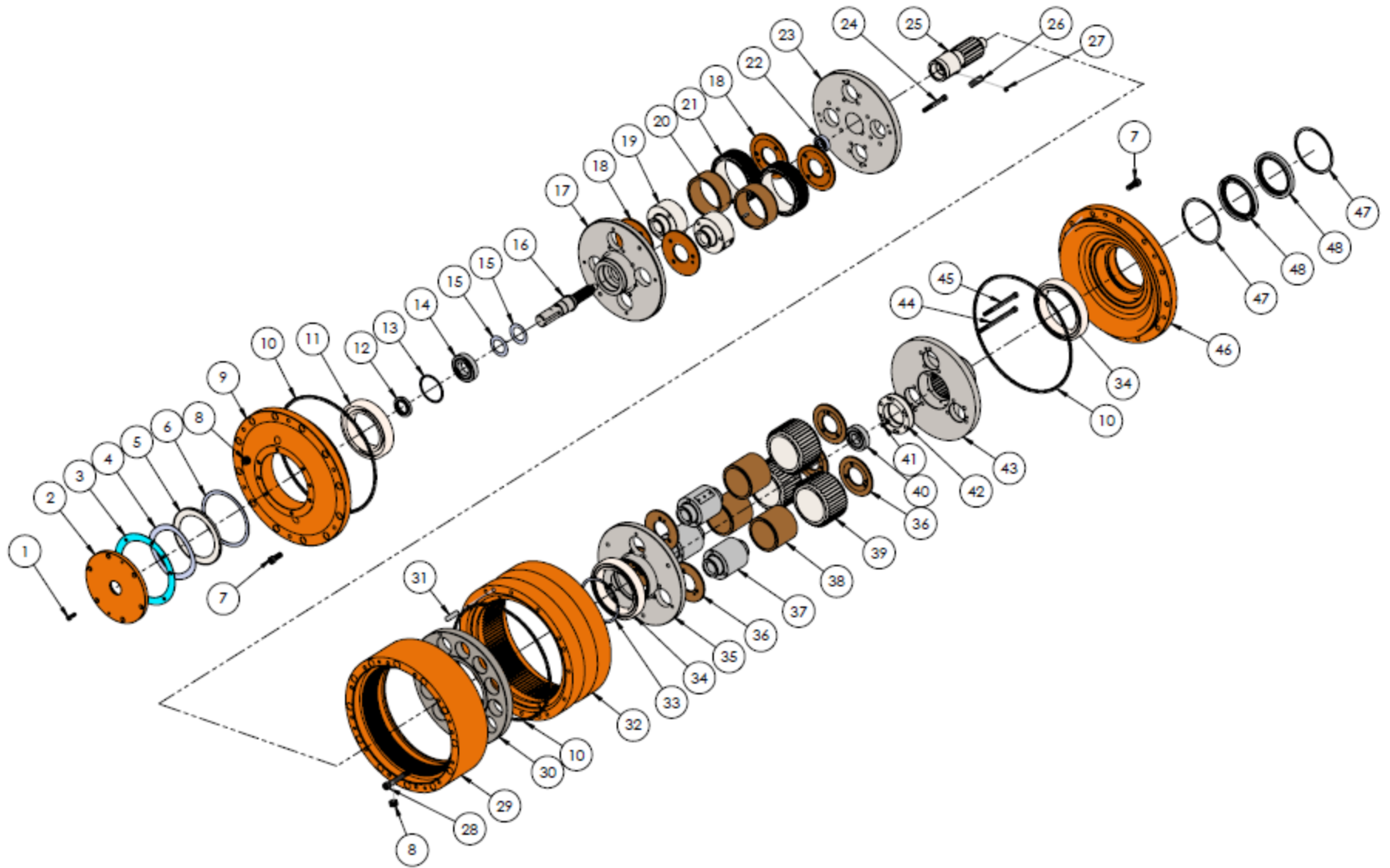


Item #	Part #	Description	Qty
1	200007	Base Assembly	1
2	200006	Compression Assembly	1
3	201800	Torque Control Lever	1
4	202000	Pad	1
5	202300	Torque Arm	1
6	200400	Micro Switch	1
7-A	200001	Complete Assy W/Micro Switch & Torque Arm	1
7-B	200002	Complete Assy WO/Micro Switch	1
7-C	200003	Complete Assy WO/Micro Switch & Torque Arm	1

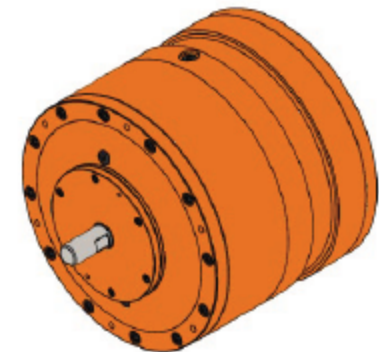
\* Rev Tech LC is an independent centrifuge gearbox part supplier for various OEM companies and is not affiliated with these OEM companies.



# Rev Tech LC - Aftermarket Parts for P-90 Gearbox



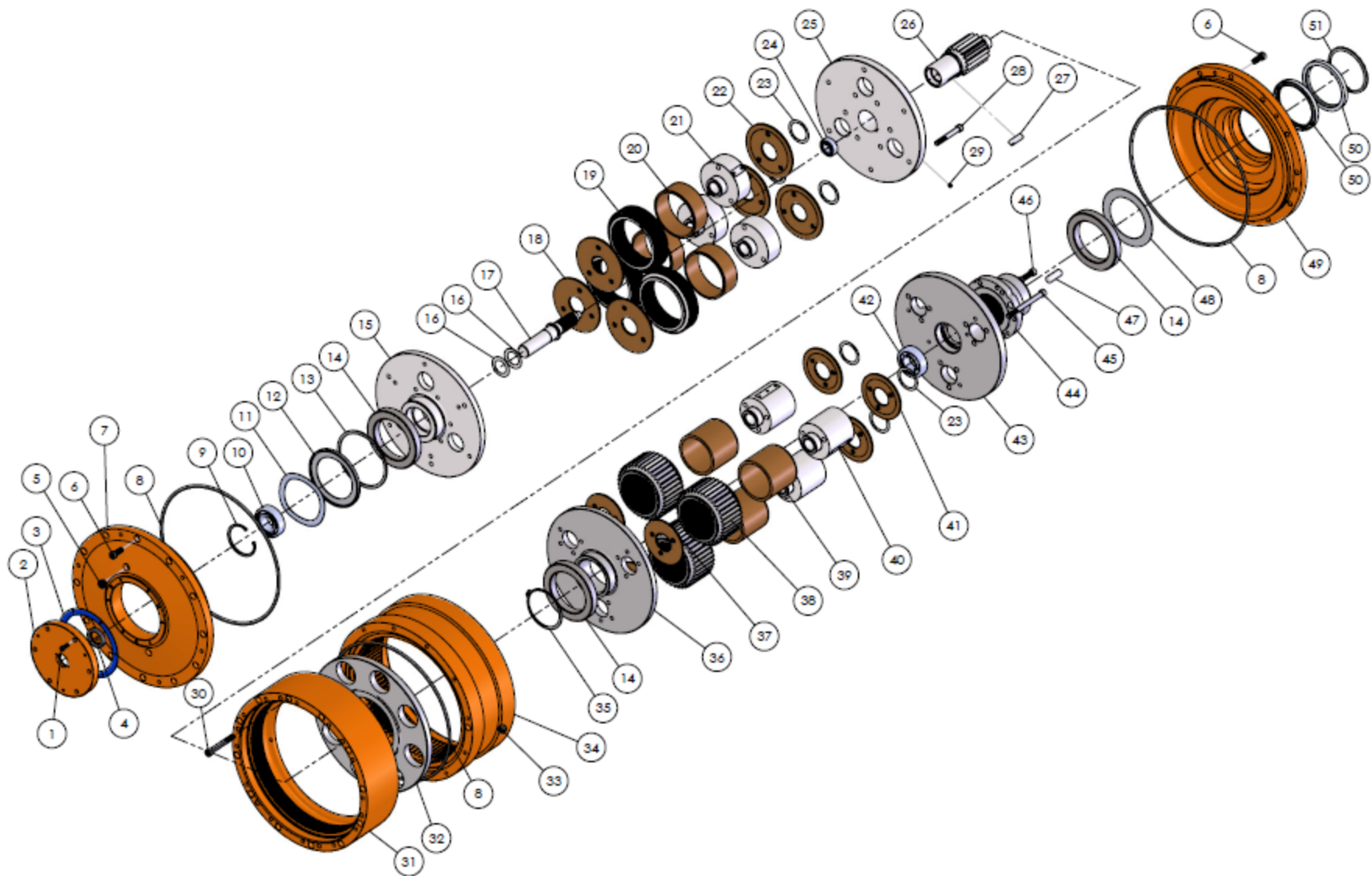
Item#	Part #	Description	Qty	Item#	Part #	Description	Qty
1	320300	SHCS 5/16" -18 x 7/8"	6	23	322106	1st Stage Inner Plate	1
2	320100	Seal Cap	1	24	322200	SHCS 3/8" - 16 x 3-1/4"	6
3	320200	Gasket	1	25	322102	2nd Stage Pinion (Insertable)	1
4	150901	Wavy Spring Washer	1	26	322103	Key	1
5	320902	Wavy Spring Retainer	1	27	322104	Set Screw	1
6	320903	Wavy Spring Spacer	1	28	322504	SHCS 1/2" - 13 x 4"	12
7	320800	SHCS 1/2" - 13 x 1 1/4"	24	29	322501	1st Stage Ring Gear Case	1
8	320500	Oil Plug	3	30	322503	Case Center Bearing Support	1
9	320700	Outside Cover	1	31	322504	Dowel Pin	1
10	320800	O'Ring 456 H70	2	32	322502	2nd Stage Ring Gear Case	1
11	321000	Bearing 6022M	1	32-A	322500	Ring Gear Case Assembly	1
12	150400	Oil Seal	1	33	152700	Spiral Lock Retainer RR-500	1
13	321200	Spiral Lock Retainer RR - 314	1	34	151000	Bearing 5" x 7"	2
14	321100	Bearing 6208	1	35	322800	2nd Stage Outer Plate	1
15	151101	Disc Spring	2	36	322900	2nd Stage Thrust Washer	6
16-A	322300	1st Stage Pinion P-98	1	37	323000	2nd Stage Axle	3
16-B	322301	1st Stage Pinion P-49	1	38	323200	2nd Stage Bronze Bearing	3
17	321302	1st Stage Outer Plate	1	39	323300	2nd Stage Planet Gear	3
18-A	321402	1st Stage Thrust Washer P-98	4	40	323600	Bearing 7306	1
18-B	322900	1st Stage Thrust Washer P-49	4	41	323502	SHCS 1/4-20 x 1-1/8"	6
19-A	321500	1st Stage Axle P-98	2	42	323501	Spline Plug	1
19-B	321501	1st Stage Axle P-49	2	43	323500	2nd Stage Cover w/Spline	1
20-A	321700	1st Stage Bronze Bearing P-98	2	45	323100	SHCS 3/8" - 16 x 5"	9
20-B	321701	1st Stage Bronze Bearing P-49	2	46	323800	Inside Cover	1
21-A	321800	1st Stage Planet Gear P-98	2	47	324100	Spiral Lock Retainer RR-525	2
21-B	321801	1st Stage Planet Gear P-49	2	48	323900	Oil Seal	2
22	322401	Bearing 6303	1				



\* Rev Tech LC is an independent centrifuge gearbox part supplier for various OEM companies and is not affiliated with these OEM companies.



# Rev Tech LC - Aftermarket Parts for P-180 Gearbox

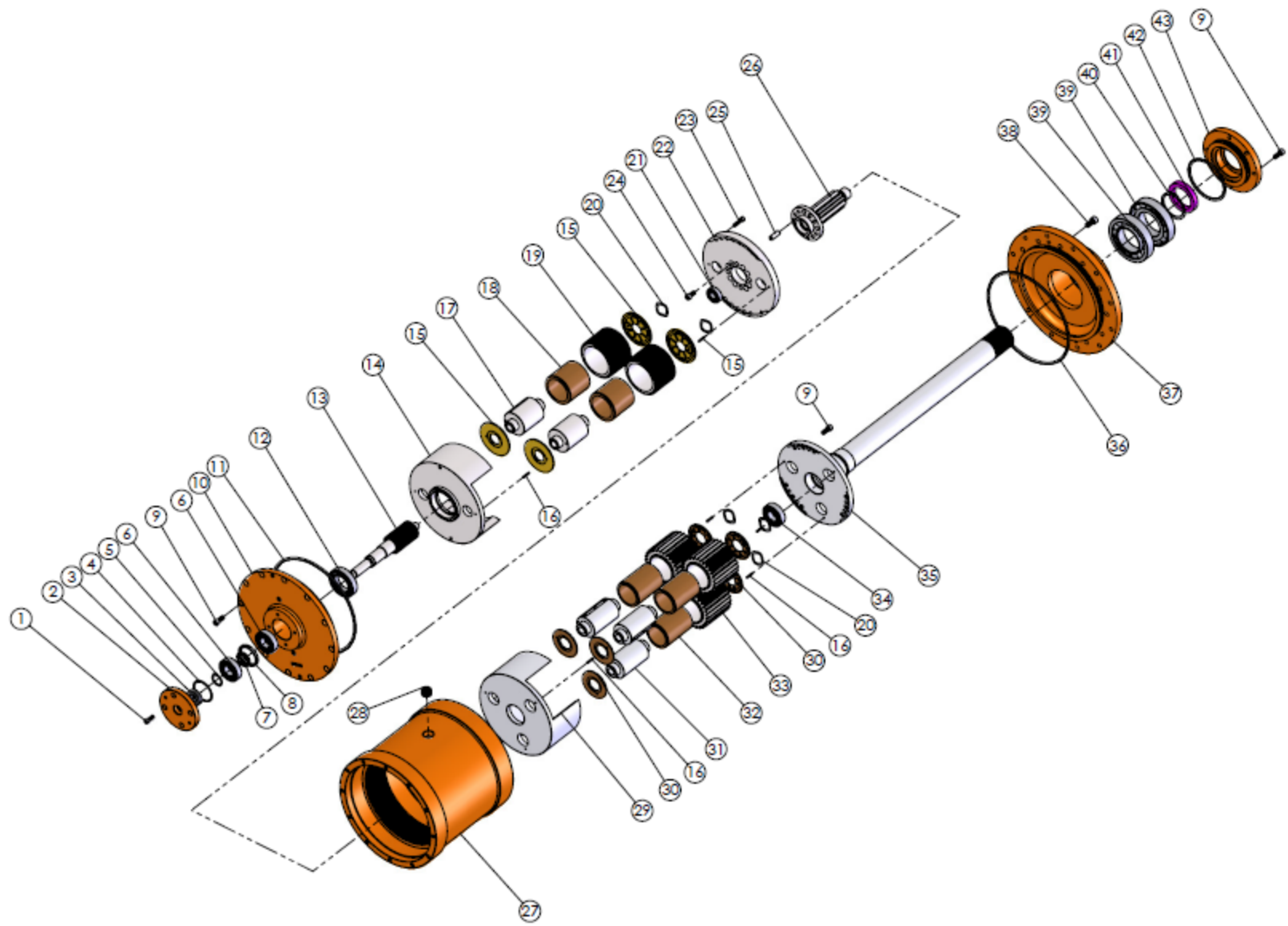


Item#	Part #	Description	Qty	Item#	Part #	Description	Qty
1	150300	SHCS 5/16" - 18 x 7/8"	6	24	152400	Bearing 6304	1
2	150100	Seal Cap	1	25-A	152106	1st Stage Cover P-95 (3 Planet)	1
3	150200	Gasket	1	25-B	152105	1st Stage Cover P-47.5 (3 Planet)	1
4	150400	Oil Seal	1	26	152102	2nd Stage Pinion (Insertable)	1
5	150500	Oil Plug	2	28-A	152202	SHCS 1/2" -13 x 3-3/4"	9
6	150600	SHCS 1/2" - 13 x 1 1/4"	24	28-B	152201	SHCS 1/2" -13 x 2 3/4" (OEM)	6
7	150700	Outside Cover	1	28-C	150600	SHCS 1/2" - 13 x 1 1/4" (OEM)	10
8	150800	O'Ring 462 H70	3	30	153100	SHCS 1/2" -13 x 4 1/4"	12
9	151200	Spiral Lock Retainer RR - 354	1	31-A	152500	Ring Gear Case Assembly	1
10	151100	Bearing 6308	1	31	152501	1st Stage Ring Gear Case	1
11	150901	Wavy Spring Washer	1	32	152503	Case Center Bearing Support	1
12	150902	Wavy Spring Retainer	1	33	152600	Oil Plug	1
13	150903	Wavy Spring Spacer	1	34	152502	2nd Stage Ring Gear Case	1
14	151000	Kaydon Bearing 5" x 7"	3	35	152700	Spiral Lock Retainer RR-500	1
15-A	151302	1st Stage Housing P-95 (3 Planet)	1	36	152801	2nd Stage Housing MOD	1
15-B	151303	1st Stage Housing P-47.5 (3 Planet)	1	37-A	152902	2nd Stage Thrust Washer MOD	6
16	151101	Disc Spring	2	37-B	152900	2nd Stage Outside Thrust Washer (OEM)	3
17-A	152300	1st Stage Pinion P-95	1	38	153300	2nd Stage Planet Gear	3
17-B	152301	1st Stage Pinion P-47.5	1	39-A	153200	2nd Stage Bronze Bearing	3
18-A	151402	1st Stage Thrust Washer P-95	6	39-B	153210	2nd Stage Bronze Bearing (Flange Style)	3
18-B	151403	1st Stage Thrust Washer P-47.5	6	40	153000	2nd Stage Axle	3
18-C	151400	1st Stage Outside Thrust Washer P-95 (OEM)	2	41	152901	2nd Stage Inside Thrust Washer (OEM)	3
18-D	151401	1st Stage Outside Thrust Washer P-47.5 (OEM)	2	42	153600	Bearing 7308	1
19-A	151800	1st Stage Planet Gear P-95	2	43	153500	2nd Stage Cover MOD w/Spline	1
19-B	151801	1st Stage Planet Gear P-47.5	2	43-A	153501	Spline Plug	1
20-A	151700	1st Stage Bronze Bearing P-95	2	44	153503	Output spline	1
20-B	151701	1st Stage Bronze Bearing P-47.5	2	45-A	152203	SHCS 1/2" -13 x 5-3/4"	9
20-C	151710	1st Stage Bronze Bearing P-95 (Flange Style)	2	45-B	153100	SHCS 1/2" - 13 x 4" (OEM)	9
20-D	151711	1st Stage Bronze Bearing P-47.5 (Flange Style)	2	46	153400	3/8-16 x 2"	6
21-A	151500	1st Stage Axle P-95	2	47	153401	Dowel Pin	2
21-B	151501	1st Stage Axle P-47.5	2	48	153700	Seal Retainer	1
22-A	151900	1st Stage Inside Thrust Washer P-95 (OEM)	2	49	153800	Inside Cover	1
22-B	151901	1st Stage Inside Thrust Washer P-47.5 (OEM)	2	50	153900	Oil Seal	2
23	152000	Wavy Spring Washer (OEM)	5	51	154100	Spiral Lock Retainer RR-600	1

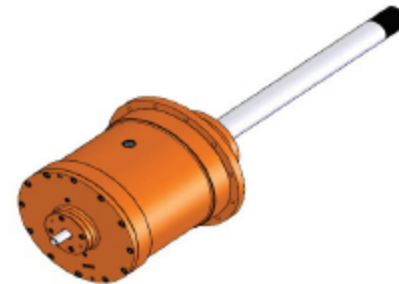


\* Rev Tech LC is an independent centrifuge gearbox part supplier for various OEM companies and is not affiliated with these OEM companies.

# Rev Tech LC - Aftermarket Parts for GB-53 Gearbox

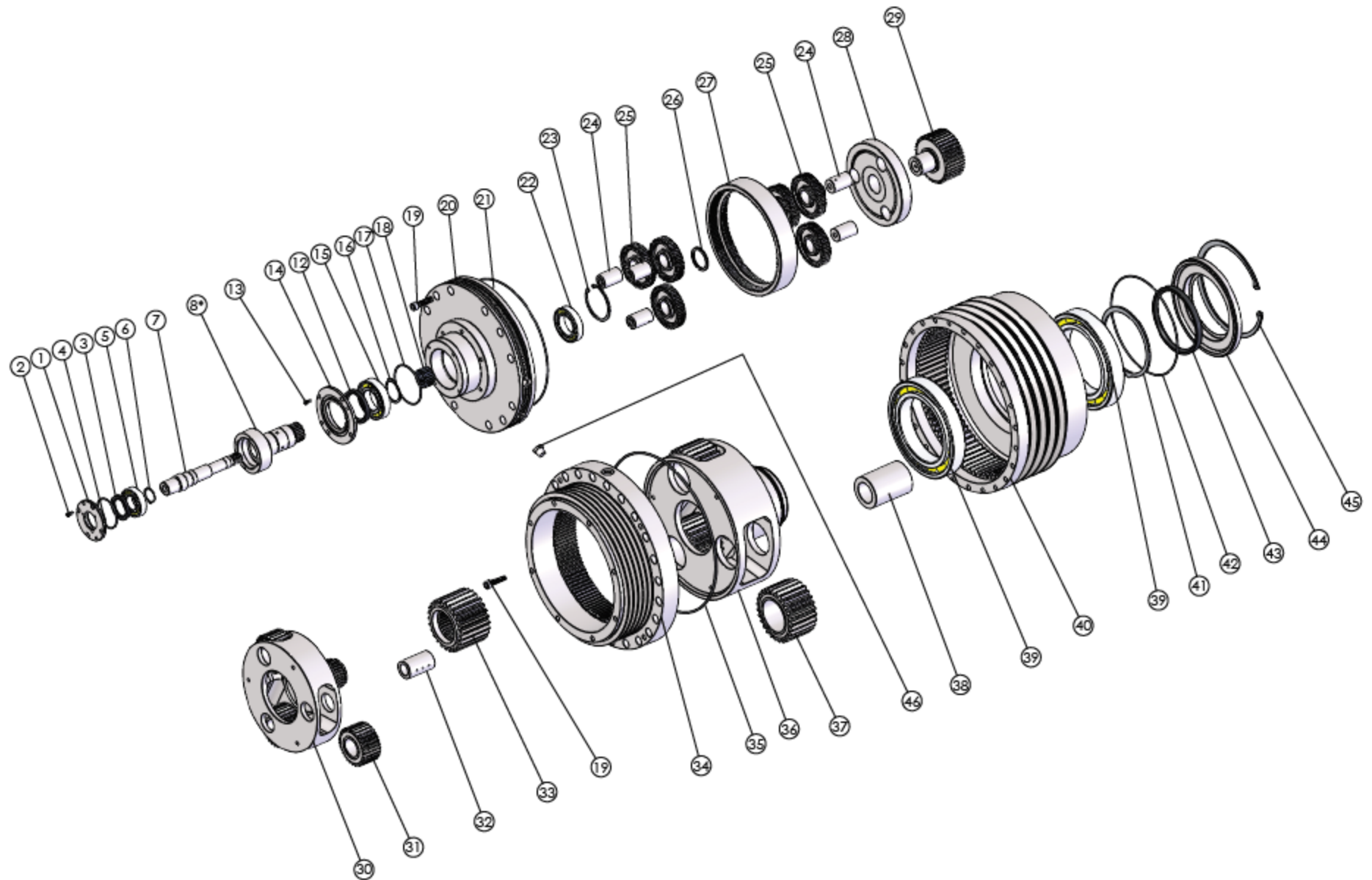


Item #	Part #	Description	Qty	Item #	Part #	Description	Qty
1	280100	SCHS 1-4-20 x 3/4"	4	25	282300	Dowel Pins 3/8 x 1"	4
2	280200	Seal Retainer	1	26	282400	2nd Stage Pinion	1
3	280400	Oil Seal	1	26-A	280003	1st Stage Assembly 53:1	1
4	280300	O'Ring 134-70	1	26-B	280004	1st Stage Assembly 100:1	1
5	280501	Snap Ring	1	27	282600	Ring Gear Case	1
6	280500	Bearing 6205	2	28	282601	Oil Plug	1
7	280600	Inner Pinion Spacer	1	29	282700	2nd Stage Outer Plate	1
8	280601	Outer Pinion Spacer	1	30	113100	2nd Stage Thrust Washer	6
9	280900	SHCS 5/16-18 x 3/4"	12	31	282900	2nd Stage Axle	3
10	280700	Outside Cover	1	32	283000	2nd Stage Bronze Bearing	3
11	280800	O'Ring 373 H70	1	33	283100	2nd Stage Planet Gear	3
12	281000	Bearing 6008	1	20	112000	Spring Washer	3
13	281800	1st Stage Pinion 53:1	1	34	280500	Bearing 6205	1
13-A	281802	1st Stage Pinion 100:1	1	35	283400	2nd Stage Inner Plate w/Spline	1
14	281200	1st Stage Outer Plate	1	35-A	283500	2nd Stage Assembly	1
15	281300	1st Stage Thrust Washer	4	9	280900	SHCS 5/16-18 x 3/4"	9
16	281100	Roll Pin 1/8" x 3/4"	10	36	280801	O'Ring 372 H70	1
17	281600	1st Stage Axle	2	37	283600	Inside Cover	1
18	281500	1st Stage Bronze Bearing	2	38	283800	SHCS 3/8"-16 x 3/4"	12
19	281400	1st Stage Planet Gear 53:1	2	39	283700	Bearing 7212	2
19-A	281401	1st Stage Planet Gear 100:1	2	40	283900	Spiral Lock RR 243	1
20	112000	Spring Washer	2	41	284010	Oil Seal	1
21	282100	Bearing 6202	1	42	284100	O'Ring 344	1
22	282200	1st Stage Inner Plate	1	43	283701	Spline Seal Cap	1
23	281700	SCHS 1-4-20 x 3/4"	8	9	284300	SHCS 5/16" -18 x 3/4"	4
24	282300	SHCS 5/16-18 x 5/8"	8				

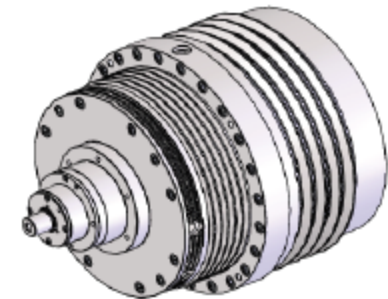


\* Rev Tech LC is an independent centrifuge gearbox part supplier for various OEM companies and is not affiliated with these OEM companies.

# Rev Tech LC - Aftermarket Parts for Flottweg 4.12 Gearbox



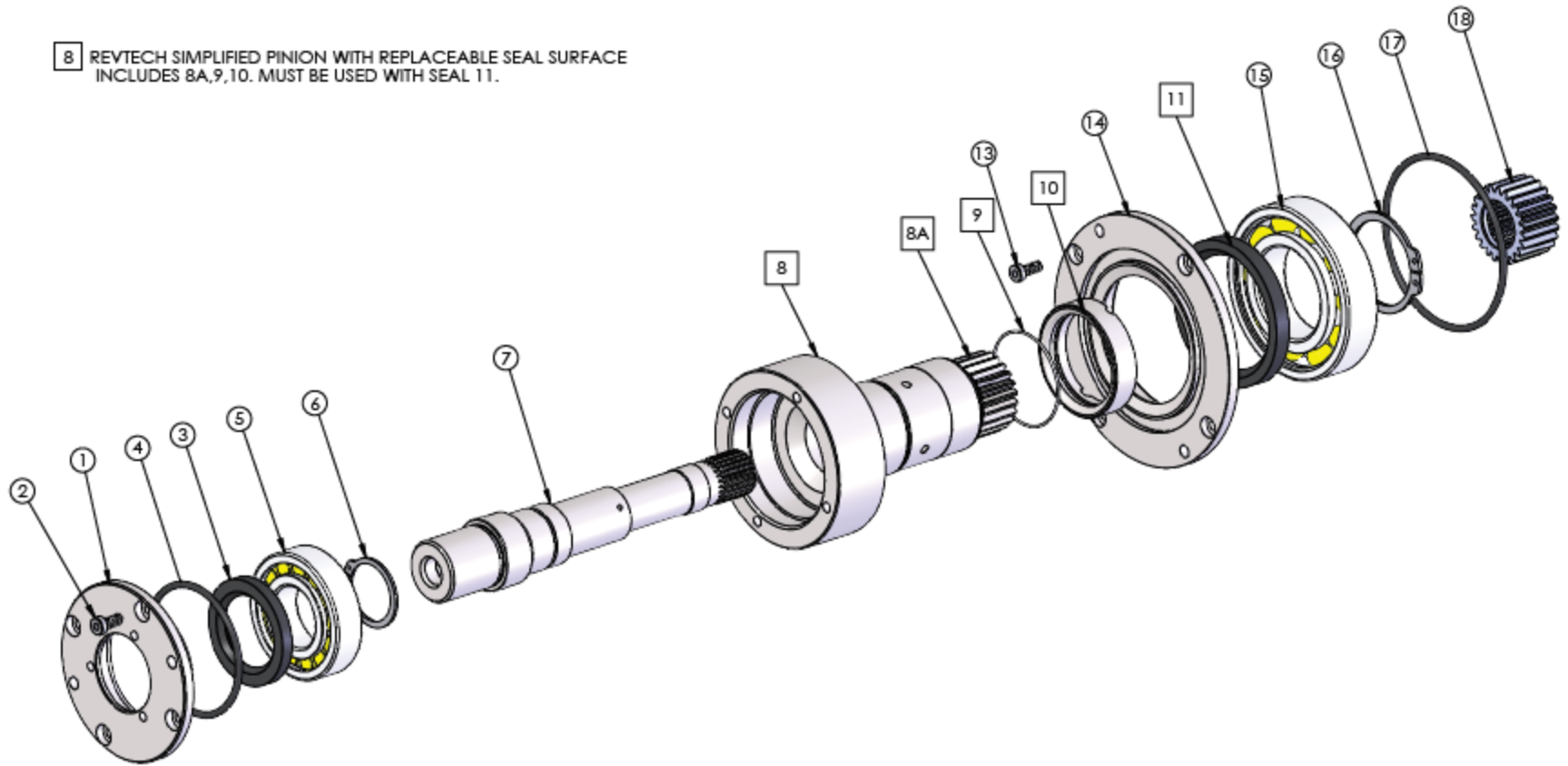
Item#	Part#	Description	Qty	Item#	Part #	Description	Qty
1	390100	Inner Pinion Seal Cap	1	25	391800	Double Drive Planet Gear	6
2	390200	SHCS M5-0.8 x 10	4	26	391900	Distance Ring	1
3	390300	35 x 52 x 6 Seal	1	27	392000	Double Drive Ring Gear	1
4	390400	H3 x 60 O'Ring	1	28	392200	2nd Stage Housing	1
5	390500	NUP206E.TPV2	1	29	392300	3rd Stage Pinion	1
6	390501	Snap Ring	1	30	392400	3rd Stage Cage	1
7	390605	Inner Pinion Shaft	1	31	392500	3rd Stage Planet Gear	3
8	390600	Pinion Assembly (See Next Page)	1	32	392600	3rd Stage Pin	3
8-A	390601	Double Drive Pinion	1	33	392700	4th Stage Planet Pinion	1
12	390700	42 x 72 x 8 Seal	1	34	392800	3rd Stage Ring Gear	1
13	390200	SHCS M5-0.8 x 10	4	35	392900	O'Ring 4 x 340	1
14	391100	Outer Pinion Seal Cap	1	36	393200	4th Stage Housing w/Spline	1
15	391000	6209 Bearing	1	37	393000	4th Stage Planet Gear	3
16	390900	Snap Ring SH-77	1	38	393100	4th Stage Planet Pin	3
17	390800	H3 X 80 O'Ring	1	39	393500	Bearing 6028	2
18	390601	Double Drive Pinion Gear	1	40	393300	4th Stage Ring Gear	1
19	391500	SHCS 10-1.5 X 40	36	41	393600	Snap Ring WST-550	1
20	391200	Housing Cover	1	42	393400	O'Ring H3 x 210	1
21	391600	O'Ring H3 x 273	1	43	393700	Packing Ring 125 x 145 x 12	1
22	391400	6009 Bearing	1	44	393800	Cover	1
23	391700	Snap Ring HO-281	1	45	393900	Snap Ring HO-800	1
24	392100	DD Planet Pin	6	46	394000	Oil Plug SAE #8	4



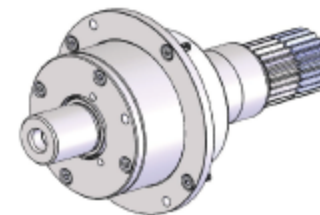
\* Flottweg is a registered trademark of Flottweg Separation Technology, Inc. Rev Tech LC is an independent centrifuge gearbox part supplier for various OEM companies and is not affiliated with these OEM companies.

# Rev Tech LC - Aftermarket Parts for Flottweg Pinion Assembly

8 REVTECH SIMPLIFIED PINION WITH REPLACEABLE SEAL SURFACE  
INCLUDES 8A,9,10. MUST BE USED WITH SEAL 11.

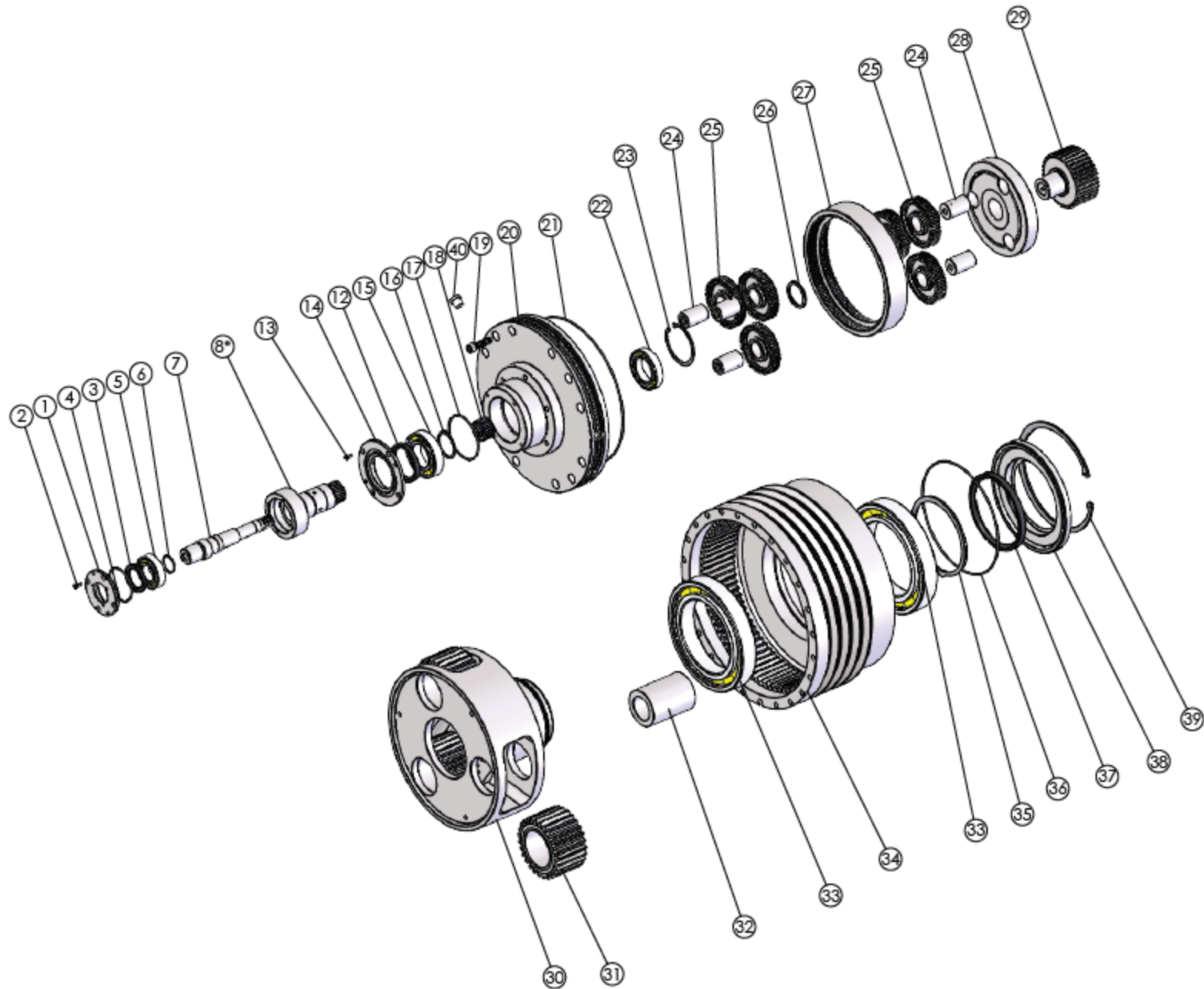


Item #	Part #	Description	Qty
1	390100	Inner Pinion Seal Cap	1
2	390200	SHCS M5-0.8 x 10	4
3	390300	35 x 52 x 6 Seal	1
4	390400	H3 x 60 O'Ring	1
5	390500	NUP206E.TPV2	1
6	390501	Snap Ring 1-3/16 External	1
7	390605	Inner Pinion Shaft	1
8	390603	Double Drive Pinion Assembly	1
8-A	390601	Double Drive Pinion	1
9	390604	O'Ring 1.5 x 45	1
10	390604	Seal Ring	1
11	390701	55 x 72 x 8 Seal	1
13	390200	SHCS M5-0.8 x 10	4
14	391100	Outer Pinion Seal Cap	1
15	391000	6209 Bearing	1
16	390900	Snap Ring SH-77	1
17	390800	O'Ring H3 x 80	1
18	390601	Double Drive Pinion Gear	1

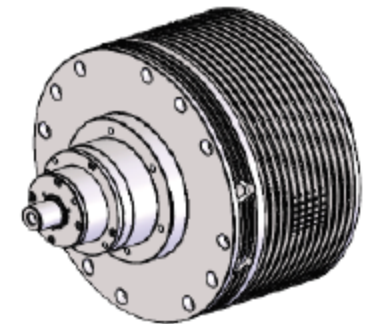


\* Flottweg is a registered trademark of Flottweg Separation Technology, Inc. Rev Tech LC is an independent centrifuge gearbox part supplier for various OEM companies and is not affiliated with these OEM companies.

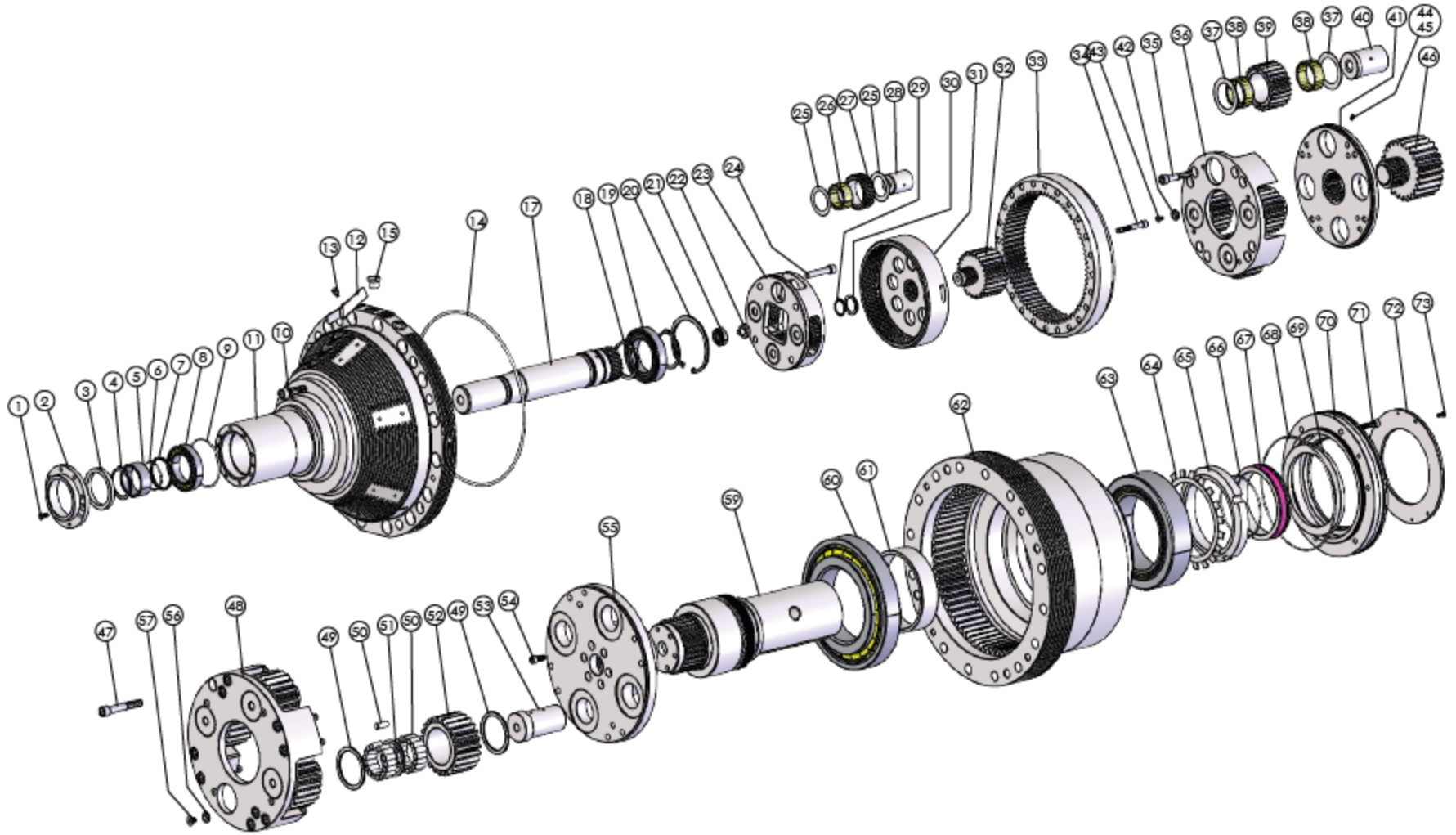




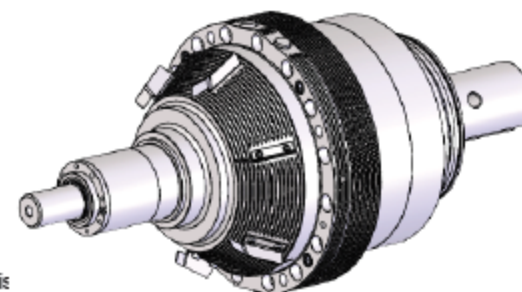
Item#	Part#	Description	Qty	Item#	Part #	Description	Qty
1	390100	Inner Pinion Seal Cap	1	22	391400	6009 Bearing	1
2	390200	SHCS M5-0.8 x 10	4	23	391700	Snap Ring HO-281	1
3	390300	35 x 52 x 6 Seal	1	24	392100	DD Planet Pin	6
4	390400	H3 x 60 O'Ring	1	25	391800	Double Drive Planet Gear	6
5	390500	NUP206E.TPV2	1	26	391900	Distance Ring	1
6	390501	Snap Ring	1	27	392000	Double Drive Ring Gear	1
7	390605	Inner Pinion Shaft	1	28	392200	2nd Stage Housng	1
8	390600	Pinion Assembly (See Previous Page)	1	29	392301	3rd Stage Pinion	1
8-A	390601	Double Drive Pinion	1	30	392401	3rd Stage Housing	1
12	390700	42 X 72 X 8 Seal	1	31	392501	3rd Stage Planet Gear	1
13	390200	SHCS M5-0.8 x 10	4	32	392601	3rd Stage Pin	1
14	391100	Outer Pinion Seal Cap	1	33	390027	Bearing 6017	2
15	391000	6209 Bearing	1	34	392801	3rd Stage Ring Gear	1
16	390900	Snap Ring SH-77	1	35	390030	Snap Ring 130 X 3.5	1
17	390800	H3 X 80 O'Ring	1	36	390018	O'Ring 3.1 X 129	1
18	390601	Double Drive Pinion Gear	1	37	390017	Packing Ring	1
19	391500	SHCS 10-1.5 X 40	36	38	393801	Cover	1
20	391200	Housing Cover	1	39	390031	Snap Ring 130 X 4	1
21	391600	O'Ring H3 x 273	1	40	394000	Oil Plug SAE #8	4



\* Flottweg is a registered trademark of Flottweg Separation Technology, Inc. Rev Tech LC is an independent centrifuge gearbox part supplier for various OEM companies and is not affiliated with these OEM companies.



Item#	Part #	Description	Qty	Item#	Part #	Description	Qty
1	720100	FSHCS M6X15	2	38	723800	Bearing K45X53X20	8
2	720200	Seal Cap	1	39	723900	2nd Stage Planet Gear	4
3	720300	Oil Seal	1	40	724000	2nd Stage Axle	4
4	720400	Retaining Ring 58MM	1	41	724100	2ns Stage Inner Plate	1
5	720500	Seal Surface IR 50 X 58 X72	1	42	724200	Retainer	4
6	720600	O'Ring_1.75X47	1	43	724300	FSHCS-M6X10-1.5	4
7	720700	Spacer Ring	1	44	724400	1/4" Ball	3
8	720800	Roller Bearing NU1010	1	45	724500	SS-M6X10	3
9	720900	O'Ring 2.5X80	1	46	724600	3rd Stage Pinion	1
10	721000	SHCS M12X40-1.75	4	47	724700	SHCS-M12X75-1.75	10
11	721100	Outside Housing	1	48	724800	3rd Stage Outer Plate	1
12	721200	Cooling Fin	6	49	724900	3rd Stage Thrust Washer	8
13	721300	SHCS-M8X10-1.0_SS	12	50	725000	Roller 10X24	138
14	721400	O'Ring 4X298	1	51	725100	Roller Spacer	4
15	721500	Oil Plug SAE #8	4	52	725200	3rd Stage Planet Gear	4
16	721600	Copper Washer	4	53	725300	3rd Stage Axle	4
17	721700	1st Stage Pinion	1	54	725400	SHCS-M8X20-1.25	6
18	721800	Retaining Ring 60MM	2	55	725500	3rd Stage Inner Plate	1
19	721900	Bearing 6012	1	56	725600	Retainer	4
20	722000	Retaining Ring 95MM	1	57	725700	FSHCS-M8X10-1.5	4
21	722100	Bearing 6200	1	58	725800	Shims	1
22	722200	Bearing Insert	1	59	725900	Output Shaft	1
23	722300	1st Stage Cage	1	60	726000	Tapered Roller Bearing 30226	1
24	722400	SHCS-M10X50-1.5	4	61	726100	Bearing Spacer	1
25	722500	1st Stage Thrust Washer	8	62	726200	Inside Housing	1
26	722600	Bearing K35X45X20	4	63	726300	Tappered Roller Bearing 32026	1
27	722700	1st Stage Planet Gear	4	64	726400	Lock Ring	1
28	722800	1st Stage Axle	4	65	726500	Spanner Nut	1
29	722900	Retaining Ring 25MM	1	66	726600	O'Ring 2X106	1
30	723000	Washer	1	67	726700	Output Seal Surface	1
31	723100	1st Stage Ring Gear	1	68	726800	O'Ring 196X2	1
32	723200	2nd Stage Pinion	1	69	726900	Oil Seal 130X160X7.5	1
33	723300	2nd Stage Ring Gear	1	70	727000	Inside Seal Cap	1
34	723400	SHCS-M8X55-1.25	24	71	727100	SHCS-M8X35-1.25-SS	6
35	723500	SHCS-M10X55-1.5	8	72	727200	Seal Plate	1
36	723600	2nd Stage Outer Cage	1	73	727300	SHCS-M5X10-.8LP	3
37	723700	2nd Stage Thrust Washer	8				



\* Rev Tech LC is an independent centrifuge gearbox part supplier for various OEM companies and is affiliated with these OEM companies.